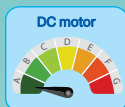
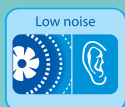


## VENTS Style Eco Series



Innovative extract fan with a DC motor for extra low energy demand and low-noise operation with automatic shutters and Wi-Fi module

**22**  
dBA

**3**  
W

**101**  
m<sup>3</sup>/h

### Application

- Innovative extract fan with stylish design for enhanced comfort level in shower rooms, bathrooms, kitchens and other residential premises.
- Maximum air flow combined with low noise level provide the ideal microclimate.
- Ventilation shaft mounting or connection to Ø 100 mm air ducts.

### Design

- The casing and the impeller are made of high-quality and durable UV-resistant plastic.
- The specially designed aerodynamic profile of the impeller provides high air flow and low noise.
- The integrated thermal actuator enables smooth opening and closing of the front panel to prevent backdrafting.
- The fan exhaust spigot incorporates specially designed air rectifiers to reduce air turbulence, noise level and boost air pressure.
- High ingress protection rating makes the fan the ideal bathroom ventilation solution.
- The electronic components are protected with tight covers.
- The Wi-Fi module enables remote control of the fan via a mobile application compatible with iOS or Android operating systems.



### Motor

- High-efficient DC motor on ball bearings with minimum energy demand up to 5 W.
- Maintenance-free bearings contain enough grease for 40 000 hrs continuous operation.
- Motor equipped with electric overheating protection.

### Modifications and options

#### VENTS 100 STYLE ECO



Modification with an adjustable turn-on delay timer (0, 2 or 5 minutes) and turn-off delay timer (5, 15, 30 and 60 minutes), humidity sensor (threshold from 40 % to 80 %), energy efficient DC motor, time indicator (electronic clock) and built-in Wi-Fi-module for fan control.

#### VENTS 100 STYLE ECO LED



Modification with an adjustable turn-on delay timer (0, 2 or 5 minutes) and turn-off delay timer (5, 15, 30 or 60 minutes), humidity sensor (operation threshold from 40 % to 80 %), energy-efficient DC motor, time indicator (electronic clock) on the front panel, built-in Wi-Fi-module for fan control and multi-coloured LED-backlit.

### Operation modes

The operating mode for the VENTS 100 STYLE ECO fan can be selected using an application for Android or iOS.

- **24 hours.** The fan runs with low speed when this mode is selected. If the sensors (humidity or temperature) or the external switch are activated, the fan will switch to a higher speed.
- **Do Not Disturb** (function is only available when **24 hours** mode is activated). This mode allows setting the time interval at which the fan will not respond to sensor or switch signals, while running at minimum speed.

- **Automatic interval ventilation** (function is only available when the **24 hours** mode is deactivated). This mode allows ventilating the room every 12 hours for 30 minutes at the set speed, if the fan was not switched on during the day.

- **Silent** mode. The fan runs at **Silent** speed. The speed can be adjusted in the range from 30 % to 100 % of the fan maximum performance.

- **Max** mode. Fan operation at **Max** speed. The speed can be adjusted in the range from 30 % to 100 % of the fan maximum performance.

### Control by humidity sensor

#### Manual:

- Allows setting the humidity threshold in range from 40 % to 80 %. If this threshold is exceeded, the fan turns on or switches to higher speed.

#### Automatic:

- Intelligent humidity control. This mode provides for humidity threshold change and fan speed selection in automatic mode. The fan independently selects the optimum humidity threshold for the room in which it is installed. Fan operation algorithm is selected based on analysing the statistical data of indoor humidity level.

### Control by temperature sensor

- If the air temperature exceeds the set point, the fan will switch to maximum speed and will return to the previous mode only after indoor temperature drops by 4 °C below the set point.

## Accessories

Air ducts



Grilles and hoods



Speed controllers



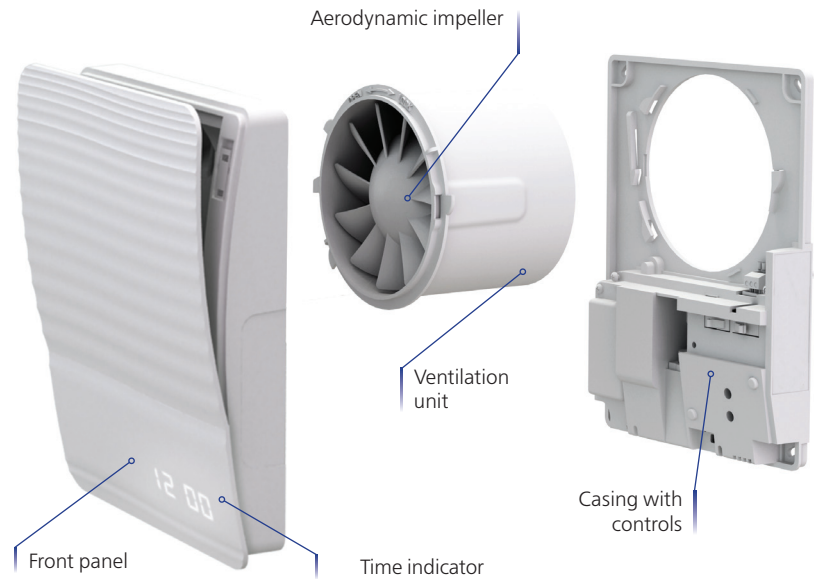
Clamps



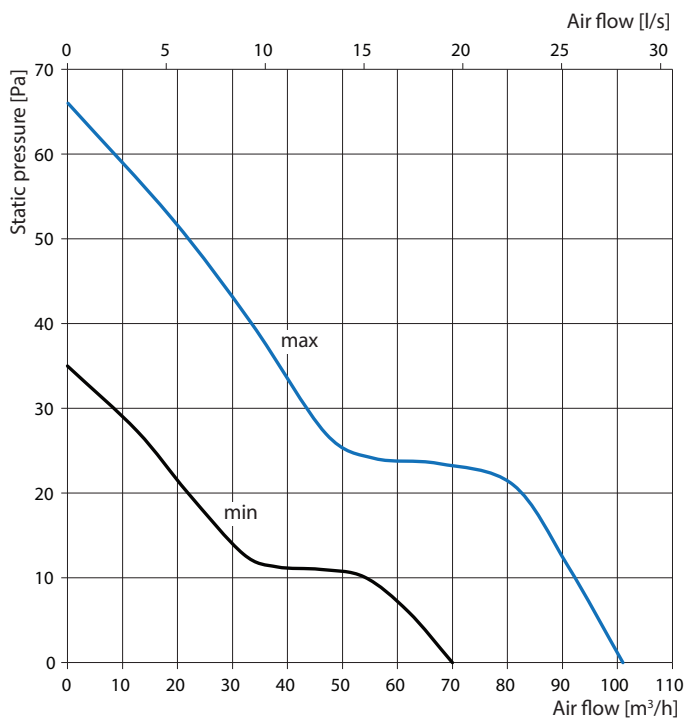
### Technical data

Model	VENTS 100 Style Eco	
Speed	min	max
Voltage [V]	100-240	
Frequency [Hz]	50-60	
Power consumption [W]	3	5
RPM [min <sup>-1</sup> ]	1850	2650
Current [A]	0.126	0.196
Maximum air flow [m <sup>3</sup> /h]	70	101
Maximum air flow [l/s]	19	28
SFP [W/l/s]	0.15	0.18
Sound pressure level at 3 m [dBA]	22	27
Weight [kg]	0.55	
IP	44	

### Design features

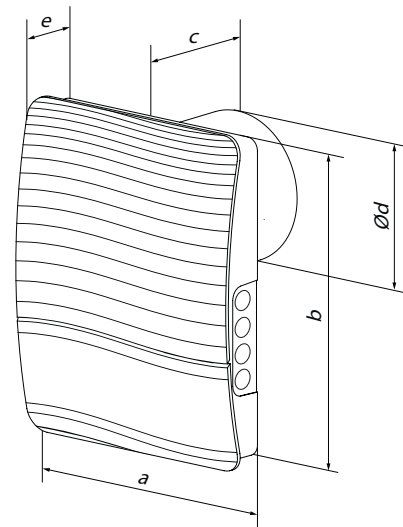


### Aerodynamic characteristics



### Overall dimensions

Model	Dimensions [mm]				
	a	b	c	Ød	e
VENTS 100 Style Eco	175	221	77	99	39



### Certificates



The fans meet the applicable safety and electromagnetic compatibility standards.