

Series
VENTS VOK



Axial roof fans with the air capacity up to **2500 m³/h** in the steel casing with the horizontal exhaust of air

■ **Applications**

Exhaust ventilation system for various premises for roof mounting. Compatible with Ø 200 to 500 mm round air ducts.

■ **Design**

The fan casing is made of steel with polymeric coating.

■ **Motor**

The impellers are powered with two- or four-pole, single phase asynchronous motors with external rotor and built-in thermal overheating protection with automatic restart depending on the model. Ball bearings in the motor ensure long service life. Motor protection rating IP 44.

■ **Speed control**

Both smooth or step speed control is performed by means of the thyristor or autotransformer controller. Several fans can be connected to one controller under condition that the total power and operating current do not exceed the rated controller values.

■ **Mounting**

The fan is mounted on the roof directly above the ventilating duct or shaft and is firmly fixed to the flat surface by means of a connecting plate. While mounting VOK fans directly onto the flat roof a supporting block shall be provided to prevent water and snow drops into the vent of the ventilation shaft. Electrical connection and installation shall be performed in compliance with the manual and circuit diagram on the terminal box.

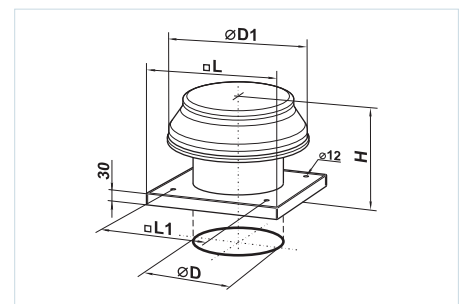
Technical data:

	VOK 2E 200*	VOK 2E 250*	VOK 4E 250*	VOK 2E 300	VOK 4E 300*	VOK 4E 350
Voltage [V / 50 Hz]	230	230	230	230	230	230
Power [W]	55	80	50	145	75	140
Current [A]	0.26	0.4	0.22	0.66	0.35	0.65
Max. air capacity [m ³ /h]	860	1050	800	2230	1340	2500
RPM [min ⁻¹]	2300	2400	1380	2300	1350	1380
Noise level at 3 m [dBA]	50	60	55	60	58	62
Transported air temperature [°C]	-30 +60	-30 +60	-30 +60	-30 +60	-30 +60	-30 +60
Protection rating	IP 54	IP 54	IP 54	IP 54	IP 54	IP 54

* Compliant to the ErP-regulation (EC) 327/2011, the power consumption at optimum efficiency is < 125W.

Fan overall dimensions:

Type	Dimensions [mm]					Weight [kg]
	ØD	ØD1	H	L	L1	
VOK 2E 200	208	345	250	425	330	4.5
VOK 2E 250	262	405	280	425	330	7.0
VOK 4E 250	262	405	280	425	330	7.0
VOK 2E 300	314	555	340	585	450	10.5
VOK 4E 300	314	555	340	585	450	10.5
VOK 4E 350	364	555	350	655	535	12.0



Designation key:

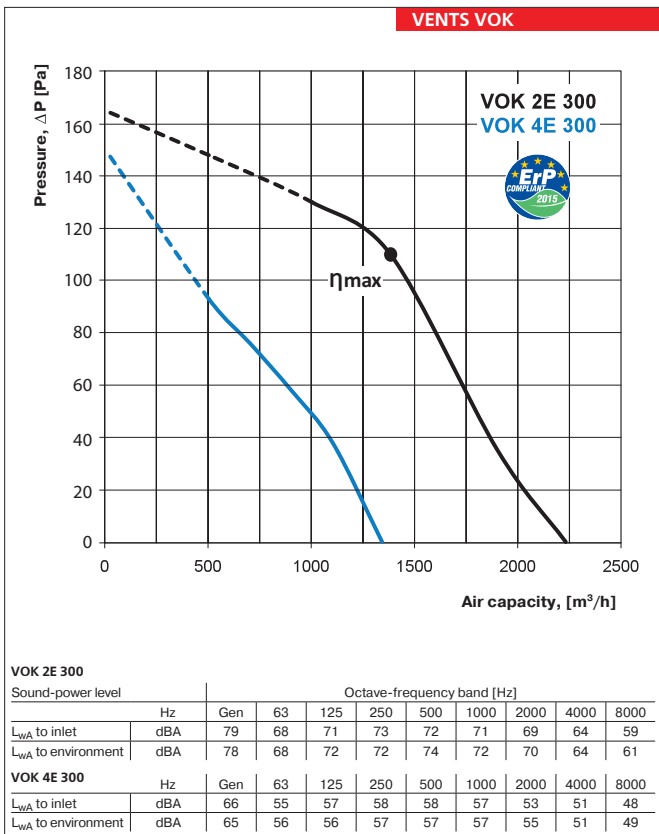
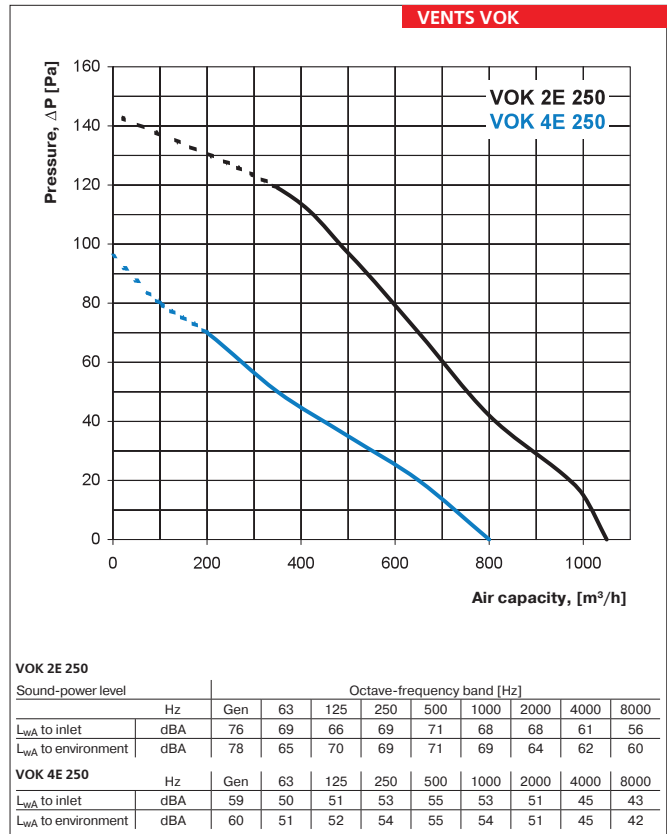
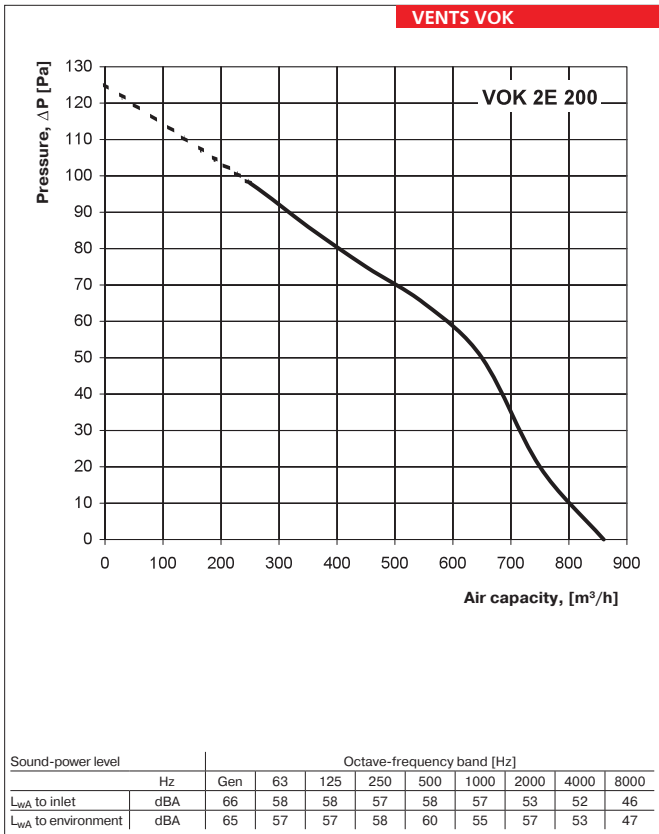
Series	Motor modification		Impeller diameter
	Number of poles	Phase	
VENTS VOK	2	E – single phase	200; 250; 300; 350
	4		

Accessories

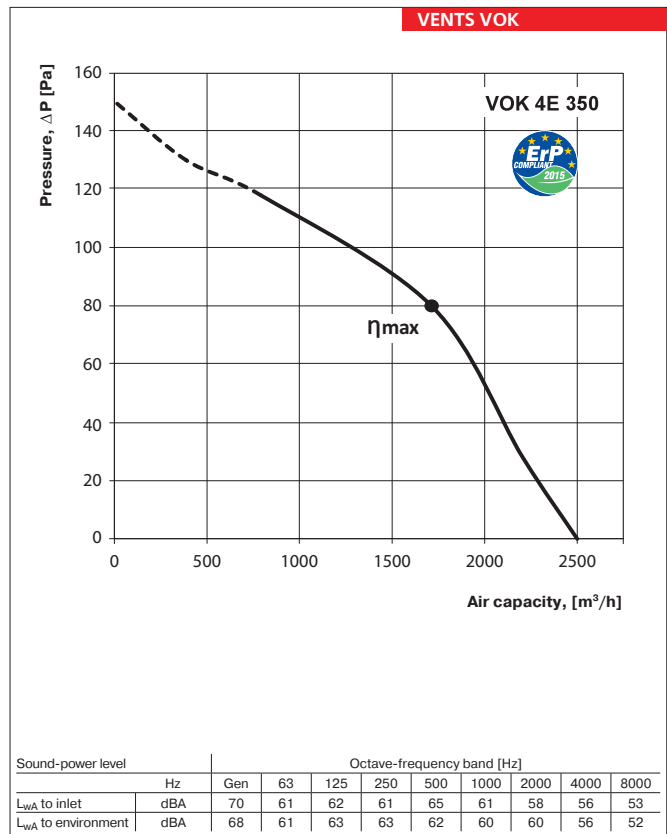


page 211 page 378 page 378 page 442 page 446 page 461 page 462 page 466 page 467

ErP data	
Overall efficiency	η, [%]
Measurement category	MC
Efficiency category	EC
Efficiency grade	N
Variable speed drive	VSD
Power	[kW]
Current	[A]
Air flow	[m ³ /h]
Static pressure	[Pa]
Speed	[n/min ⁻¹]
Specific ratio	SR



η , [%]	MC	EC	N	VSD	[kW]	[A]	[m³/h]	[Pa]	[RPM]	SR
30.5	A	Static	42.2	No	0.141	0.64	1380	110	2350	1



η , [%]	MC	EC	N	VSD	[kW]	[A]	[m³/h]	[Pa]	[RPM]	SR
29.9	A	Static	41.8	No	0.130	0.6	1717	80	1375	1

FAN SERIES VENTS VOK