

Series
VVGF



Series
VVG



the range of -40 °C to +80 °C. Compatible with round Ø 100 up to 500 mm air ducts for VVG models and from Ø 200 up to 630 mm air ducts for VVGF models.

■ **Design**

Flexible connectors are two flanges made of galvanized sheet steel interconnected by vibration-isolating material made of polyethylene tape reinforced with polyamide fiber. The connectors are not designed for mechanical load and cannot be used as a part of load-bearing construction.

■ **Mounting**

Mounting of flexible connector into the ventilation system is effected by means of end flanges fixing to the mating flanges in the ventilation system. Fixing is performed by means of galvanized bolts and brackets.

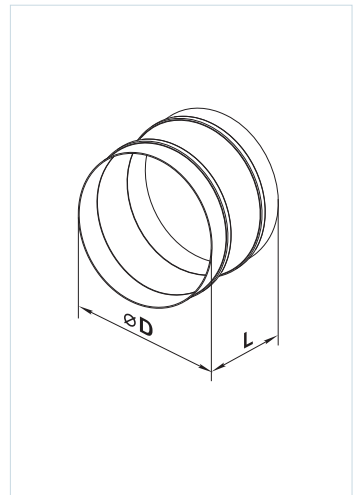
■ **Applications**

Flexible connectors are designed to exclude the vibration transmission from fans or ventilating units

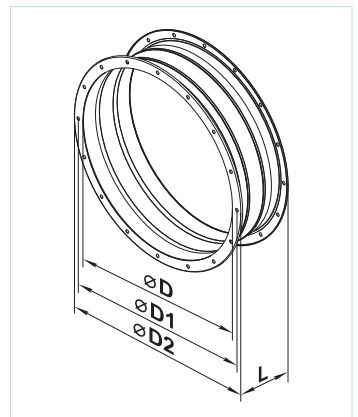
to the air duct as well as for the thermal distortion compensation within the air duct. Applied in ventilation systems with the transferred air temperature over

Overall dimensions:

Type	Dimensions [mm]		Weight [kg]
	ØD	L	
VVG 100	101	130	0.14
VVG 125	126	130	0.17
VVG 140	139.5	130	0.2
VVG 150	151	130	0.21
VVG 160	161	130	0.22
VVG 180	179.5	130	0.26
VVG 200	201	130	0.28
VVG 225	222.5	130	0.31
VVG 240	238.5	130	0.34
VVG 250	251	130	0.35
VVG 280	279.5	130	0.38
VVG 315	316	130	0.44
VVG 355	356	130	0.50
VVG 400	401	130	0.56
VVG 450	451	130	0.64
VVG 500	501	130	0.71



Type	Dimensions [mm]				Weight [kg]
	ØD	ØD1	ØD2	L	
VVGF 200	205	235	255	160	1.29
VVGF 250	260	286	306	160	1.21
VVGF 300	310	356	382	160	1.90
VVGF 350	362	395	421	160	2.06
VVGF 400	412	438	465	160	2.57
VVGF 450	462	487	515	160	2.88
VVGF 500	515	541	570	160	3.81
VVGF 550	565	605	636	160	4.53
VVGF 630	645	674	715	160	5.13



Designation key:

Series	Spigot diameter [mm]
VVG	100; 125; 140; 150; 160; 180; 200; 225; 240; 250; 280; 315; 355; 400; 450; 500

Series	Spigot diameter [mm]
VVGF	200; 250; 300; 350; 400; 450; 500; 550; 630