

Temperature regulator RT-10



■ Applications

Applied for control of the set indoor temperature as well as ventilation and air conditioning systems control.

■ Design and control

The casing is made of high-quality durable plastic. During the temperature increase or decrease with respect to the set value the thermostat opens or closes the contacts (the pattern is selected during

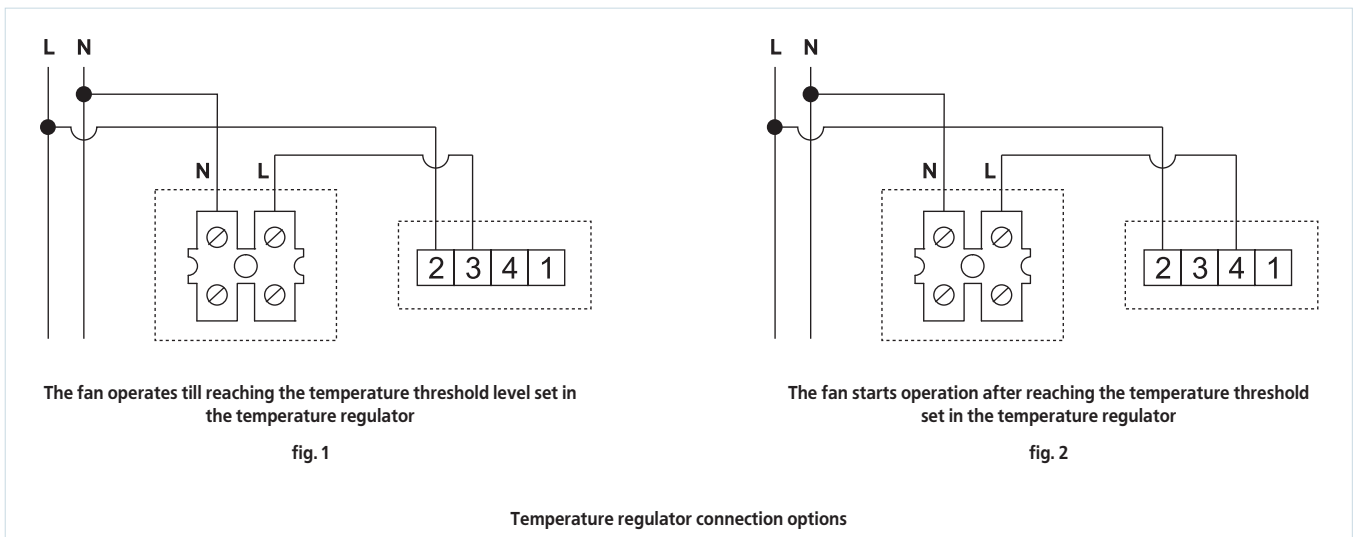
the connection. The temperature adjustment range is +10 up to +30 °C.

■ Mounting

The temperature regulator is designed for indoor surface mounting. The recommended installation height is 1.5 m. Do not install the temperature regulator close to windows, doors, heating or cooling devices.

Technical data:

	RT-10
Voltage [V / 50/60 Hz]	1~ 220-240
Overall dimensions LxWxH [mm]	84x84x35
Maximum ambient temperature [°C]	40
Protection rating	IP 40



Wiring diagram, fig. 1

- maximum current of active load no more 10A;
- maximum current of inductive load no more 3A.

Wiring diagram, fig. 2

- maximum current of active load no more 6A;
- maximum current of inductive load no more 2A.