

ROOF-MOUNTED EXHAUST FAN FOR FIREPLACES

Series VKT



Roof Exhaust Gas
Extraction Booster Fan
for Fireplaces.
Air Capacity – up to 1000 m³/h.

■ Application

The fans are designed for boosting the draft and extracting smoke fumes heated up to 200 °C for 5 hours. The units are used for extracting hot smoke from fireplaces, furnaces and hearths. The fans are also suitable for standard periodic or constant exhaust ventilation.

■ Design

The fan casing is made of galvanized steel with a polymer coating protecting from weather elements and aggressive environments. The fan has a protective grille to prevent accidental contact and penetration of foreign objects.

■ Motor

The fan is equipped with a single-phase asynchronous motor on ball bearings which contribute to a long-term uninterrupted service. The motor is offset from the transported air stream and has an integral thermal protection. The compartment housing of the motor is isolated from the hot air stream and has ventilation openings for air circulation and heat dissipation. A

purpose-designed impeller with backward-curved blades minimizes soot and carbon deposits for trouble-free operation and easy maintenance.

■ Speed Regulation and Fan Control

The fan is connected to the power mains via a transformer or thyristor speed controller, which enables draft regulation and, consequently, maximum efficiency of the fireplace operation.

ATTENTION!

The fan must be turned on in case of open fire in the fireplace. At the handled air temperature above 200 °C the fans must run at the top speed without a speed controller.

■ Installation

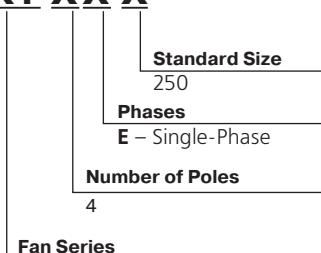
The fan is mounted on the roof on the top section of the chimney. Make sure that the location provides for sufficient space as required for the fan maintenance.

*The smoke fume temperatures can be determined by putting a piece of kindling into the chimney at the level chosen for the fan installation and keeping it there for 30 minutes while the fireplace is hot. The approximate temperature of the effluent gases can be determined according to the kindling colour.

Kindling Colour	Approximate Smoke Fume Temperature, [°C]
Unchanged	200
Yellow (wheat bread crust)	250
Brown (brown bread crust)	300
Black	400
Charred kindling	400

Designation: _____

VENTS VKT XX X



Accessories



SRS-1



RS-1-300



RS-1-400



PS-1 N(V)



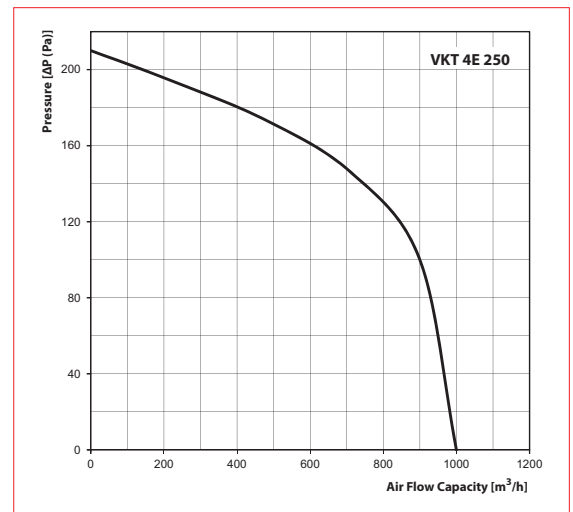
RSA5E-2-P



RSA5E-2-M

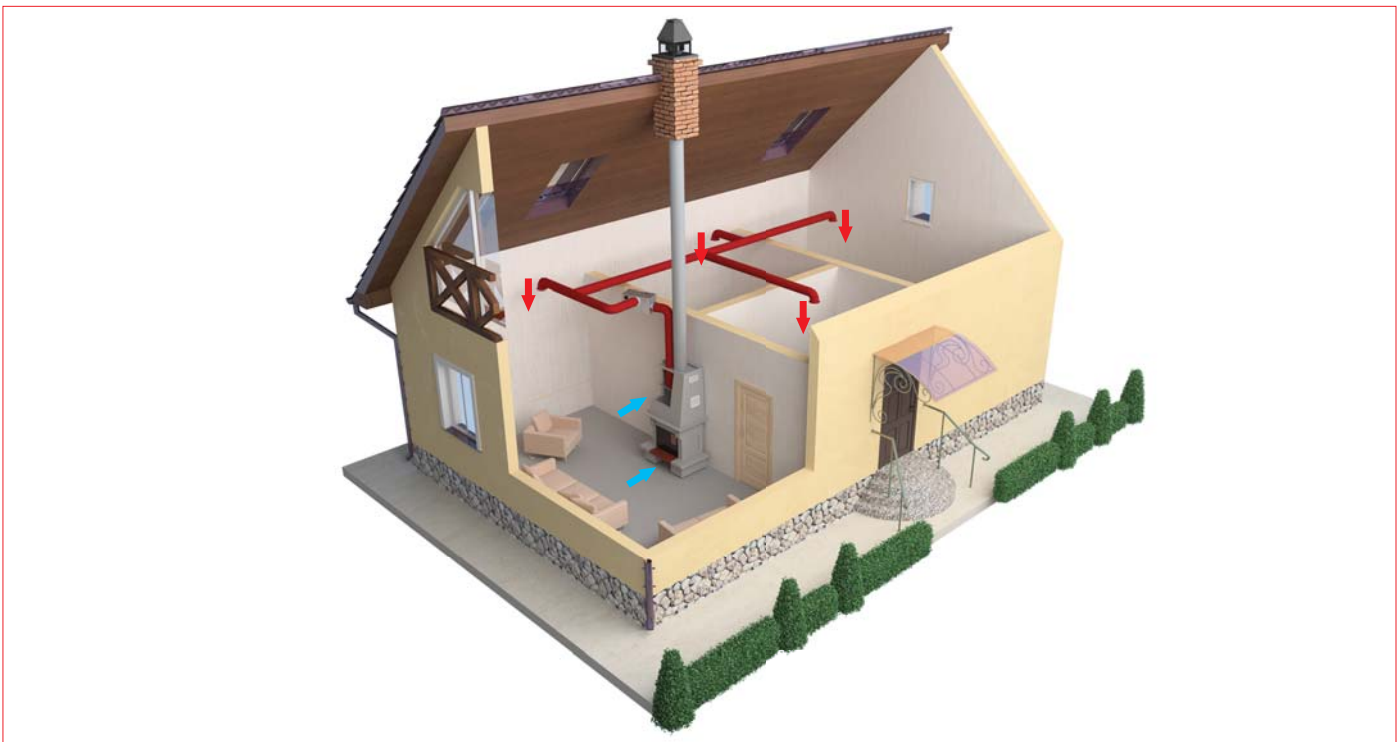
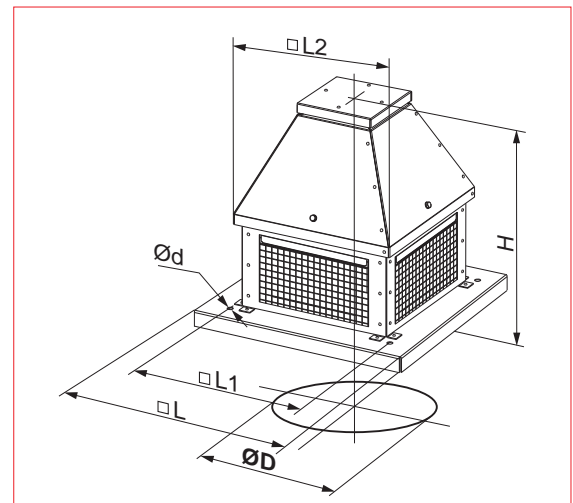
Technical Specifications:

	VKT 4E 250
Voltage [V] / 50 Hz	1 ~230
Power Consumption [W]	96
Current [A]	0.6
Maximum Air Flow Rate [m³/h]	1000
Rotation Speed [rpm]	1500
Sound Pressure at 3 m [dB(A)]	52
Maximum Transported Air Temperature [°C]	200
Protection	IP 44



Fan Dimensions:

Fan Type	Dimensions [mm]						Weight [kg]
	Ø D	Ø d	H	L	L1	L2	
VKT 4E 250	250	11	434	430	330	323	14,6



Sample VKT Fan Application