

Series  
**VENTS OVP**



Low pressure axial fan in steel casing with air capacity up to **2500 m<sup>3</sup>/h** for round duct installation

■ **Application**

Combined supply and exhaust ventilation systems for various premises where high air capacity at relatively low system resistance is required.

■ **Design**

The fan casing and the impeller are made of polymer coated steel. The fan casing sides have 30 mm deep corrugation for convenient attachment to the air ducts. The OVP series fans feature an external terminal box mounted to the fan casing.

■ **Motor**

Depending on the model the fans are equipped with two- or four-pole single-phase asynchronous motors with an external rotor and integrated self-resetting overheat protection. Ball bearings in the motor provide long service life designed for at least 40 000 hours. Motor protection rating IP 44.

■ **Speed control**

Both smooth or step speed control is performed by means of a thyristor or autotransformer controller. Several fans can be connected to one controller if the total power and operating current do not exceed the rated controller values.

■ **Mounting**

The fan is attached to a wall or the ceiling by means of the mounting brackets (included). The power is supplied via the side-mounted box. Electrical connection and installation must be performed in accordance with the instruction manual and the electrical connections diagram applied to the terminal box.

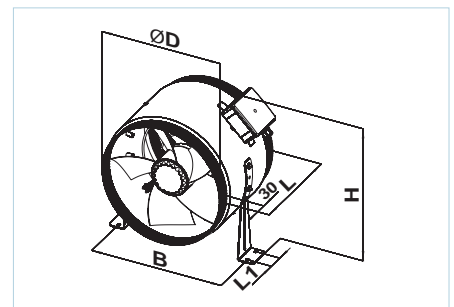
**Technical data:**

	OVP 2E 200*	OVP 2E 250*	OVP 4E 250*	OVP 2E 300	OVP 4E 300*	OVP 4E 350
Voltage [V / 50 Hz]	230	230	230	230	230	230
Power [W]	55	80	50	145	75	140
Current [A]	0.26	0.4	0.22	0.66	0.35	0.65
Max. air capacity [m <sup>3</sup> /h]	860	1050	800	2230	1340	2500
RPM [min <sup>-1</sup> ]	2300	2400	1380	2300	1350	1380
Noise level at 3 m [dBA]	50	60	55	60	58	62
Transported air temperature [°C]	-30 +60	-30 +60	-30 +60	-30 +60	-30 +60	-30 +60
Protection rating	IP X4	IP X4	IP X4	IP X4	IP X4	IP X4

\* Compliant to the ErP-regulation (EC) 327/2011, the power consumption at optimum efficiency is < 125W.

**Fan overall dimensions:**

Type	Dimensions [mm]					Weight [kg]
	∅D	∅B	L	H	L1	
OVP 2E 200	199	227	220	300	30	3.5
OVP 2E 250	249	282	250	320	30	4.5
OVP 4E 250	249	282	250	320	30	4.5
OVP 2E 300	299	326	250	390	40	6.3
OVP 4E 300	299	326	250	390	40	6.3
OVP 4E 350	349	378	300	410	40	8.4



**ErP data**

Overall efficiency	η, [%]
Measurement category	MC
Efficiency category	EC
Efficiency grade	N
Variable speed drive	VSD
Power	[kW]
Current	[A]
Air flow	[m <sup>3</sup> /h]
Static pressure	[Pa]
Speed	[n/min <sup>-1</sup> ]
Specific ratio	SR

**Accessories**



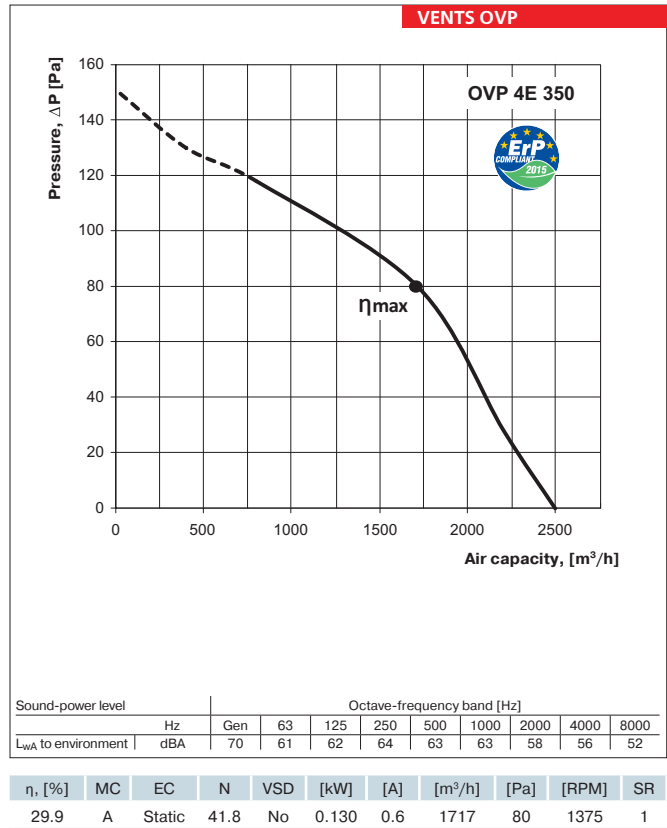
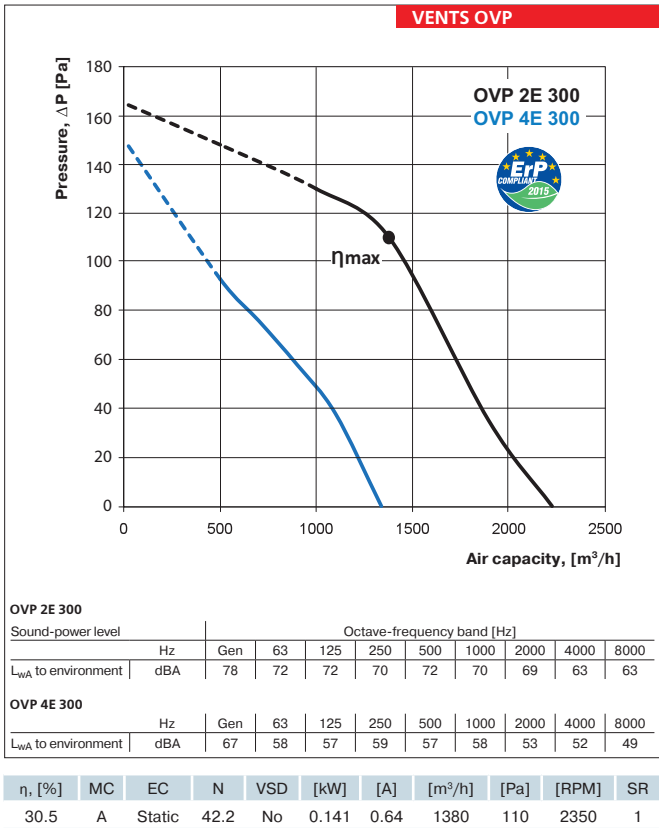
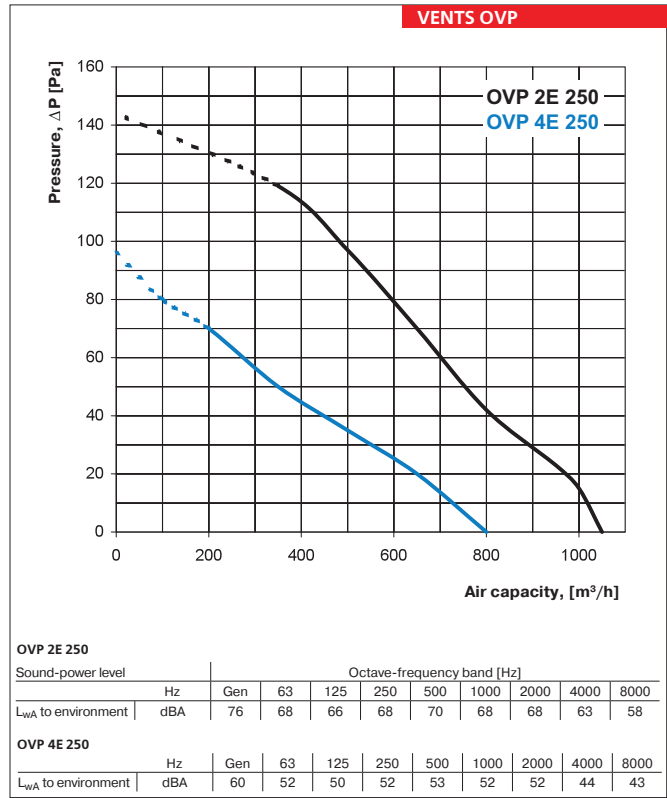
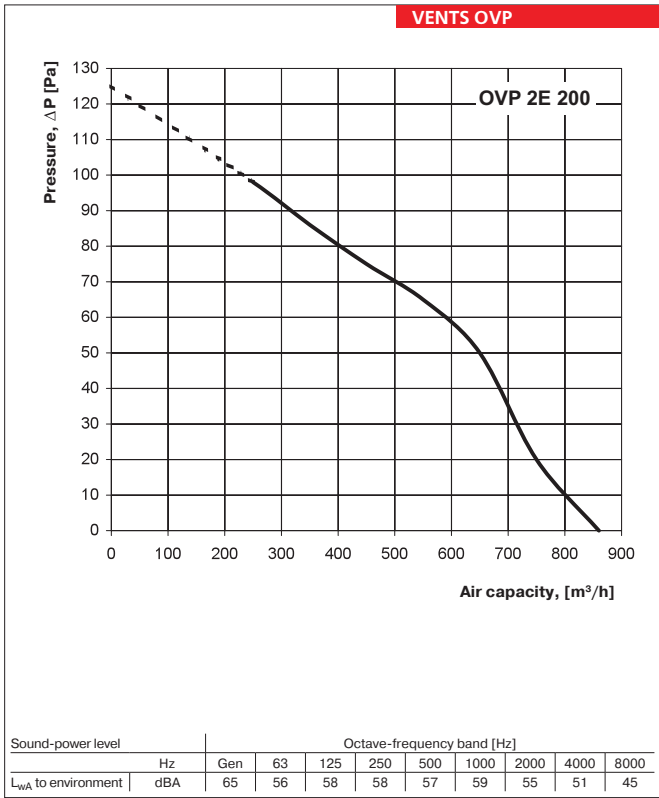
page 461

page 462

page 463

page 466

page 467



VENTS OVP  
FAN SERIES