

Series  
**BELIMO**  
**LM230A/LM24A**



■ **Application**

The SM series actuators with actuating torque 5 Nm are designed for controlling air dampers with cross section up to 1 m<sup>2</sup> installed in various ventilation and air conditioning systems.

■ **Design**

The actuator is installed directly on the damper axis and locked with a special spindle clamp to prevent its turning-through. The actuator overload protection

stops the actuator once it reaches the end positions. In case of pressing the button on the actuator housing the gear is disengaged and the damper changes into manual operation mode. The turning angle is adjusted by mechanical end stops.

■ **Control**

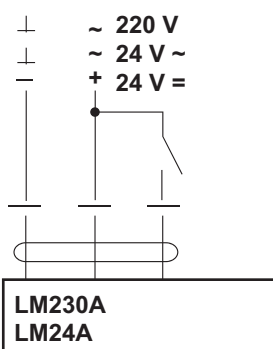
The **LM24A**, **LM230A** models are controlled by the three-point control system. The damper is opened or closed by the single-circuit control.

**Technical data:**

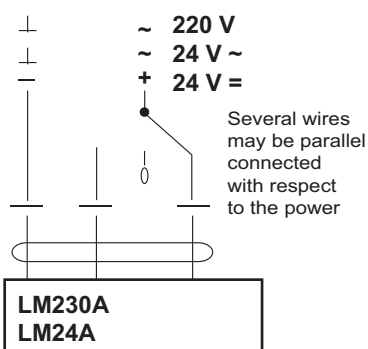
	<b>LM24A</b>	<b>LM230A</b>
Voltage	24 AC 50/60 Hz, 24 DC ~	230 AC 50/60 Hz
Nominal voltage range [V]	19.2...28.8 AC 19.2...28.8 DC	85...265 AC
Rated power [VA]	2	4
Power consumption [W]	1	1.5
Feedback potentiometer	integrated 5 kOhm ± 5%	
Connecting cable	1 m long, 3 x 0.75 mm <sup>2</sup>	
Rotation direction	selected by 0/1 switch positioning	
Mechanical control	self-resetting button	
Torque [Nm]	5 (at nominal voltage)	
Rotation angle:	max. 95°, adjustable with mechanical end stops	
Running time	150 s	
Position indicator	mechanical	
Ingress protection	IP 54 at any mounting position	
Electrical protection class	III low voltage II totally insulated	
Operation temperature [°C]	-30...+50	
Storage temperature [°C]	-40...+80	
Ambient humidity	95%, no condensation	
Noise level [dBA]	35	
Maintenance	not required	
Weight [kg]	0.6	

**Wiring diagram**

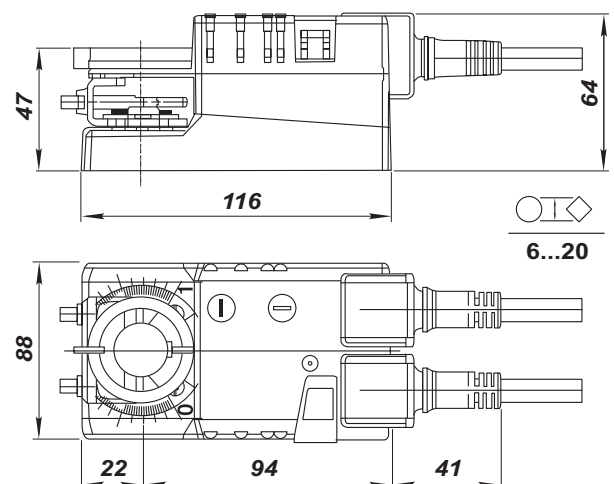
Single-wire control



Two-wire control



**Overall dimensions [mm]**



ELECTRIC ACTUATORS  
CM230/  
CM24  
LM230A/  
LM24A