

SUPPLY AND EXHAUST PLASTIC DIFFUSERS WITH LIGHT

FL2-100 Series



Application

- For supply and exhaust ventilation and air conditioning.
- Synchronous ventilation and light.
- Designed for wall mounting or installation into false ceiling.
- The best solution for use in premises with increased humidity (exhaust systems of bathrooms and WC).

Design

- Made of high quality plastic.
- The diffuser is supplied with a halogen or a LED lamp of different wattages from 3 to 35 W and colour temperatures (cold white 6 K or warm white 3 K).
- Special aerodynamic shape ensures uniform air distribution.
- Easy mounting with a mounting flange and screws.
- External removable grille for maintenance and cleaning.
- Protection rating is IP X4.

Diffuser modifications

Model with a halogen lamp FL2-100 H

- Halogen lamp with wattage of 20 or 35 W.
- Safe lamp voltage 12 V/50 Hz.
- Impulse transformer 220-240 V/12 V for halogen lamps is included in the delivery set.
- Emission colour: warm white.
- Lamp cap: G5.3.
- Supplied with a terminal box.

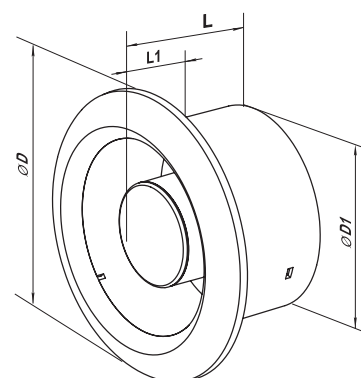
Model with a LED lamp FL2-100 LED

- LED lamp with wattage of 3 or 4 W.
- Power supply unit 100-240/12 V for LED lamp is included in the delivery set.
- Safe lamp voltage 12 V.
- Emission colour: warm white or cold white.
- Lamp cap: G5.3.
- Supplied with a terminal box.

Model	Lamp wattage, W	Lamp type	Colour temperature
FL2-100 H	20	halogen	warm white
FL2-100 H 35 W	35	halogen	warm white
FL2-100 LED (WarmWhite)	3	LED	warm white
FL2-100 LED (CoolWhite)	3	LED	cool white
FL2-100 LED 4 W (WarmWhite)	4	LED	warm white
FL2-100 LED 4 W (CoolWhite)	4	LED	cool white

Overall dimensions

Model	Dimensions [mm]				Air pass [m ²]
	D	D1	L	L1	
FL2-100	140	97	73,2	13,2	0,00302



Additional equipment



chrome
FL2-100 chrome