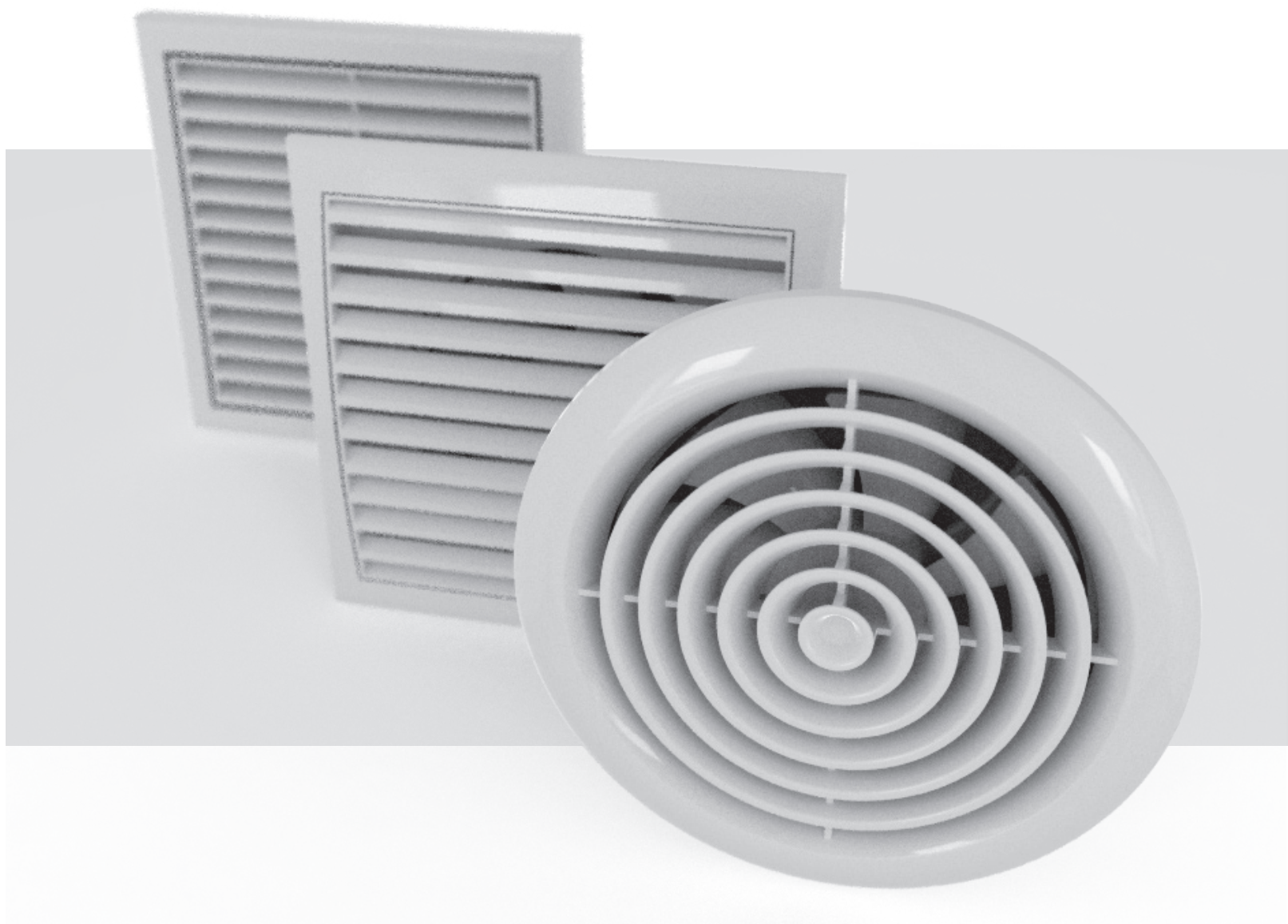


# USER'S MANUAL

---

**VENTS 125 IFK**  
**VENTS 125 IFT**  
**VENTS 125 IFP**



Axial fan  
for exhaust ventilation

---



## CONTENTS

Safety requirements .....	2
Purpose .....	4
Delivery set .....	4
Technical data .....	4
Mounting and set-up .....	4
Unit connection and control .....	6
Technical maintenance .....	7
Storage and transportation regulations .....	7
Manufacturer's warranty .....	8
Acceptance certificate .....	9
Seller information .....	9
Installation certificate .....	9
Warranty card .....	9

This user's manual consisting of the technical details, operating instructions and technical specification covers the installation and mounting of the axial fan for exhaust ventilation (hereinafter referred to as «the fan» or «the unit» as mentioned in the «Safety requirements» and «Manufacturer's warranty» sections as well as in warnings and information blocks).

## SAFETY REQUIREMENTS

Read the user's manual carefully prior to installing and operating the unit.

Fulfil the user's manual requirements as well as the provisions of all the applicable local and national construction, electrical and technical norms and standards.



The warnings contained in the user's manual must be considered most seriously since they contain vital personal safety information.

Failure to follow the rules and safety precautions noted in this user's manual may result in an injury or unit damage.

After a careful reading of the manual, keep it for the entire service life of the unit.

While transferring the unit control the user's manual must be turned over to the receiving operator.

Symbol legend:

	<b>WARNING!</b>
	<b>DO NOT!</b>

## UNIT MOUNTING AND OPERATION SAFETY PRECAUTIONS



- Disconnect the unit from power mains prior to any installation operations.



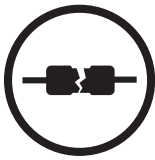
- Unpack the unit with care.



- Do not lay the power cable of the unit in close proximity to heating equipment.



- While installing the unit follow the safety regulations specific to the use of electric tools.



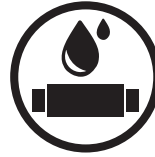
- Do not use damaged equipment or cables when connecting the unit to power mains.



- Do not operate the unit outside the temperature range stated in the user's manual.
- Do not operate the unit in aggressive or explosive environments.



- Do not touch the unit controls with wet hands.
- Do not carry out the installation and maintenance operations with wet hands.



- Do not wash the unit with water.
- Protect the electric parts of the unit against ingress of water.

### UNIT MOUNTING AND OPERATION SAFETY PRECAUTIONS



- Do not allow children to operate the unit.



- Disconnect the unit from power supply prior to any technical maintenance.



- Do not store any explosive or highly flammable substances in close proximity to the unit.



- When the unit generates unusual sounds, odour or emits smoke disconnect it from power supply and contact the Seller.



- Use the unit only for its intended purpose.



- Do not direct the air flow produced by the unit towards open flame or ignition sources.



- Do not block the air duct when the unit is switched on.



- In case of continuous operation of the unit periodically check the security of mounting.

## PURPOSE

The product is an axial fan for exhaust ventilation of small and medium-sized premises.  
 The fan is designed for connection to  $\varnothing 125$  mm air ducts.  
 The fans are equipped with single-speed motors.  
 This fan model includes a back valve that prevents air back drafting when the fan is off.



**THE UNIT IS NOT INTENDED TO BE USED BY CHILDREN, PHYSICALLY OR MENTALLY DISABLED PERSONS, PERSONS WITH SENSORY DISORDER, PERSONS WITH NO APPROPRIATE QUALIFICATION.**

**THE CHOICE OF UNIT INSTALLATION LOCATION MUST PREVENT UNAUTHORIZED ACCESS BY UNATTENDED CHILDREN.**

## DELIVERY SET

Name	Number
Fan	1 items
Screws with dowels	4 items
User's manual	1 items
Packing box	1 items

## TECHNICAL DATA

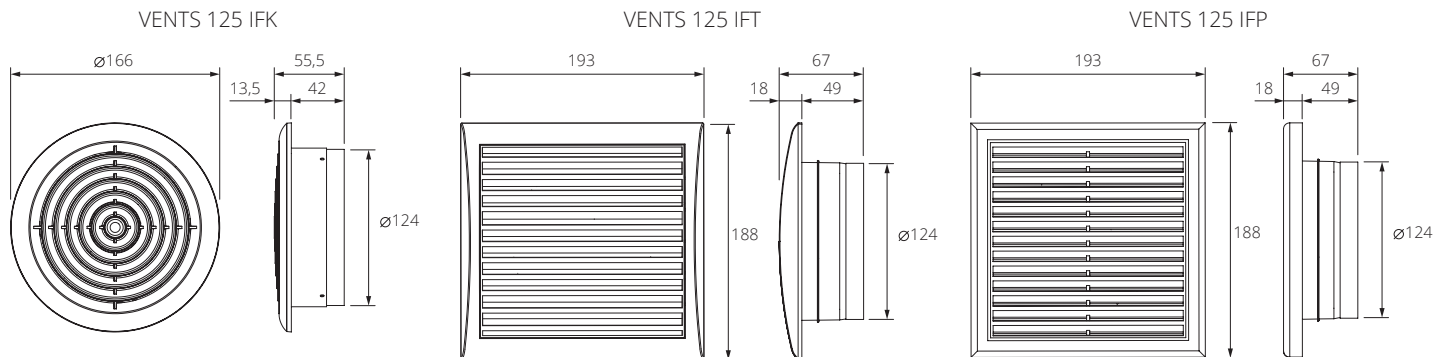
The fan is designed for indoor application with the ambient temperature ranging from  $+1$  °C up to  $+45$  °C and relative humidity up to 80 %.

The fan requires no grounding.

Ingress protection rating against access to hazardous parts and water ingress is IP 24.

The fan design is constantly being improved, so some models can slightly differ from those ones described in this manual.

### OVERALL DIMENSIONS OF THE FAN, MM



## MOUNTING AND SET-UP



**READ THE USER'S MANUAL PRIOR TO MOUNTING THE FAN.**



**IN CASE OF VERTICAL MOUNTING OF THE UNIT PROVIDE EXTRA PROTECTION AGAINST WATER AND CONDENSATES INGRESS. FAN INSTALLATION WITH DIRECT AIR DISCHARGE UPWARDS IS NOT ALLOWED.**

In case of vertical mounting of the unit provide extra protection against water and condensates ingress. Fan installation with direct air discharge upwards is not allowed.

The fan is designed for vertical or horizontal installation and connection to a ventilation shaft or a round air duct of a matching diameter.

While mounting the fan in the air duct provide a routing method of fan power cables.

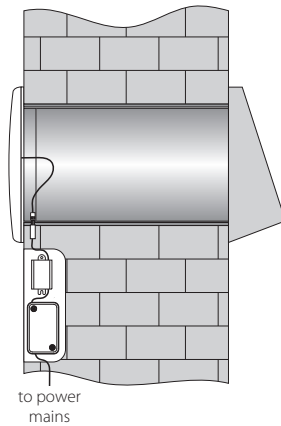
1. Choose the place for the fan mounting.

It is recommended to install the fan in the air duct that goes straight outside through the wall.

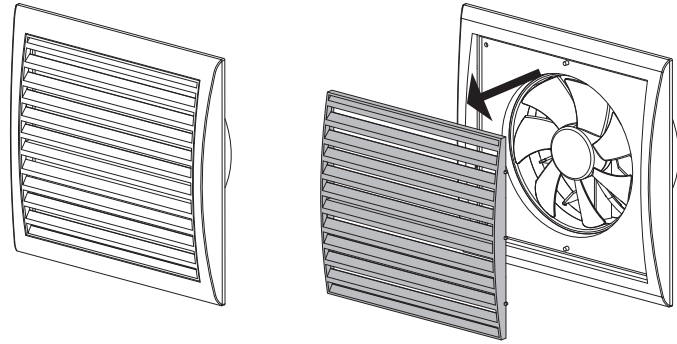
Provide a mounting place for a power supply unit and a terminal box.

It's recommended to install the fan into the mounting box.

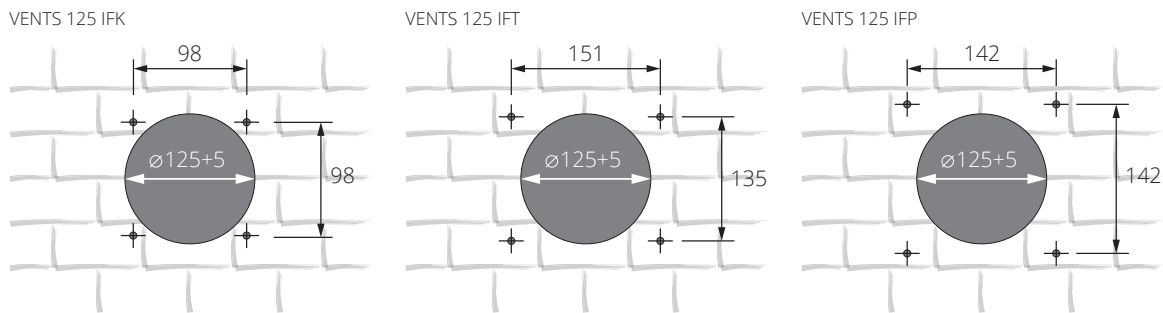
**It is forbidden to lay components in an air duct or a ventilation shaft!**



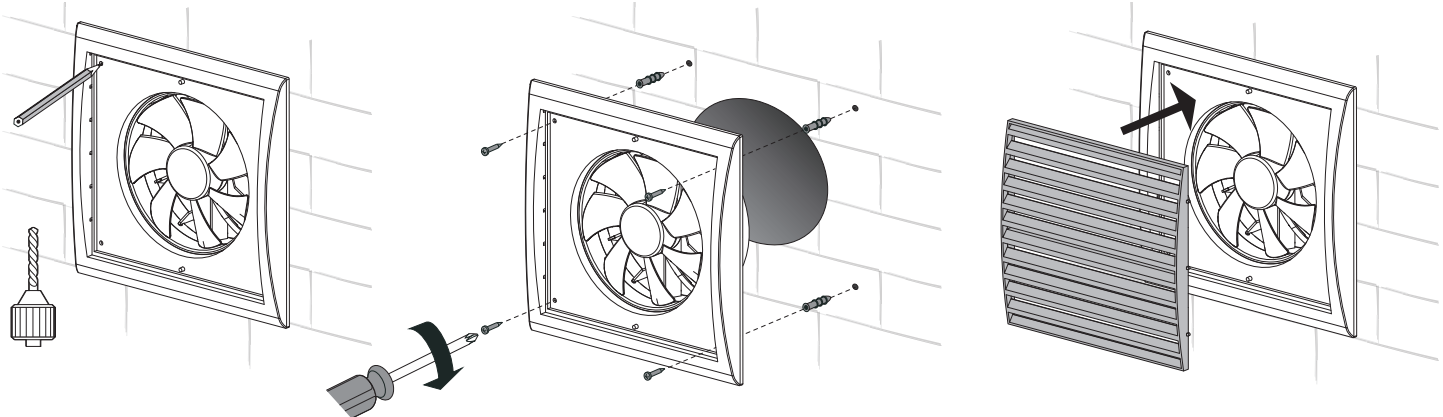
2. Then remove the front panel of the fan.



3. Attach the fan to the wall or use the drawings below to mark the holes for dowels. While preparing the holes it's recommended to provide the fan connection and the network cable routing methods.



4. Bore dowel holes. Then install the fan using the screws and install the front panel.



5. A mounting method of a terminal box connected to a power supply unit is selected individually.

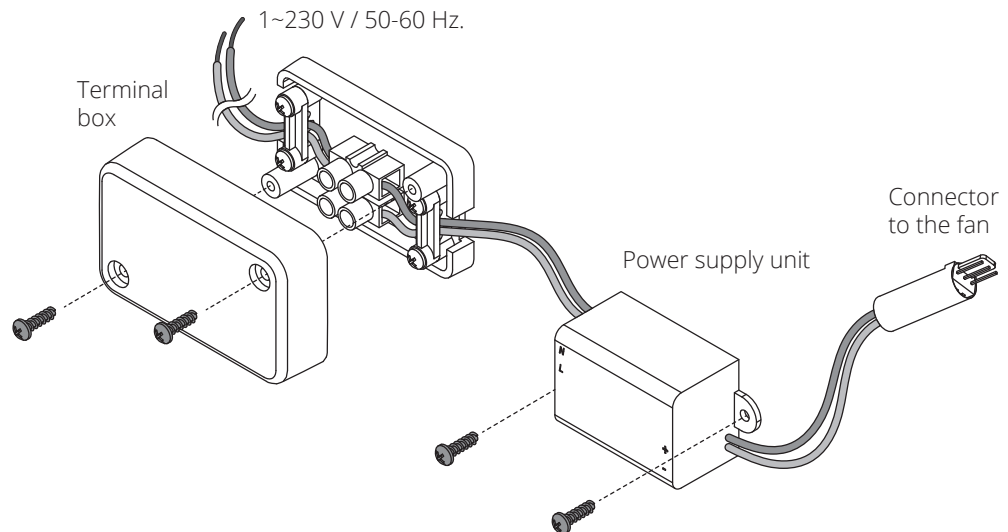
It's recommended to provide a fixing method of a power supply unit to a rigid surface using screws or self-tapping screws.

The terminal box should be mounted to a smooth surface using double sided adhesive tape.

Laying of a power supply unit and a terminal box in a mounting box is also possible.

In certain cases a power supply unit and a terminal box can be located behind a plasterboard wall.

The electric mains connections diagram of the fan is shown in «Unit connection and contro» section, see page 6.



## CONNECTION TO POWER MAINS AND CONTROL



**DISCONNECT THE UNIT FROM POWER MAINS PRIOR TO ANY OPERATIONS.  
THE RATED ELECTRICAL PARAMETERS OF THE UNIT ARE GIVEN ON THE MANUFACTURER'S LABEL.**



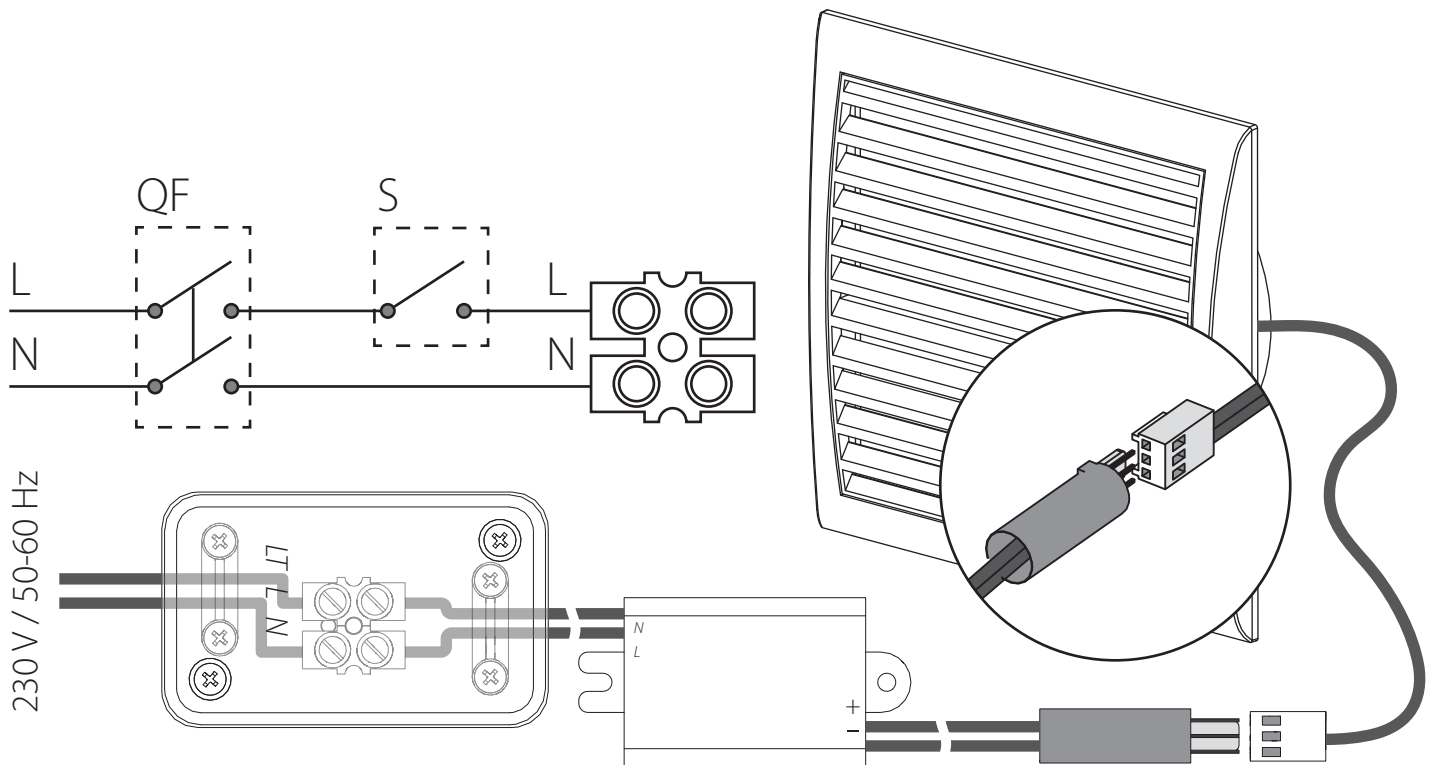
**ANY INTERNAL CONNECTION MODIFICATIONS ARE NOT ALLOWED  
AND RESULT IN WARRANTY LOSS.**

The fan is rated for connection to single-phase AC 230 V / 50-60 Hz power mains.

Connect the fan to single-phase power mains through the automatic circuit breaker with a magnetic trip integrated into the fixed wiring system.

The fan must be connected to power mains using durable, insulated and heat-resistant conductors (cables and wires) with corresponding cross section (not less than 0.75 mm<sup>2</sup>).

The fan is connected to the terminal block located in the terminal box in compliance with the wiring diagram and the terminal marking. The terminal clamp marking corresponds to the marking on the wiring diagram.





## TECHNICAL MAINTENANCE

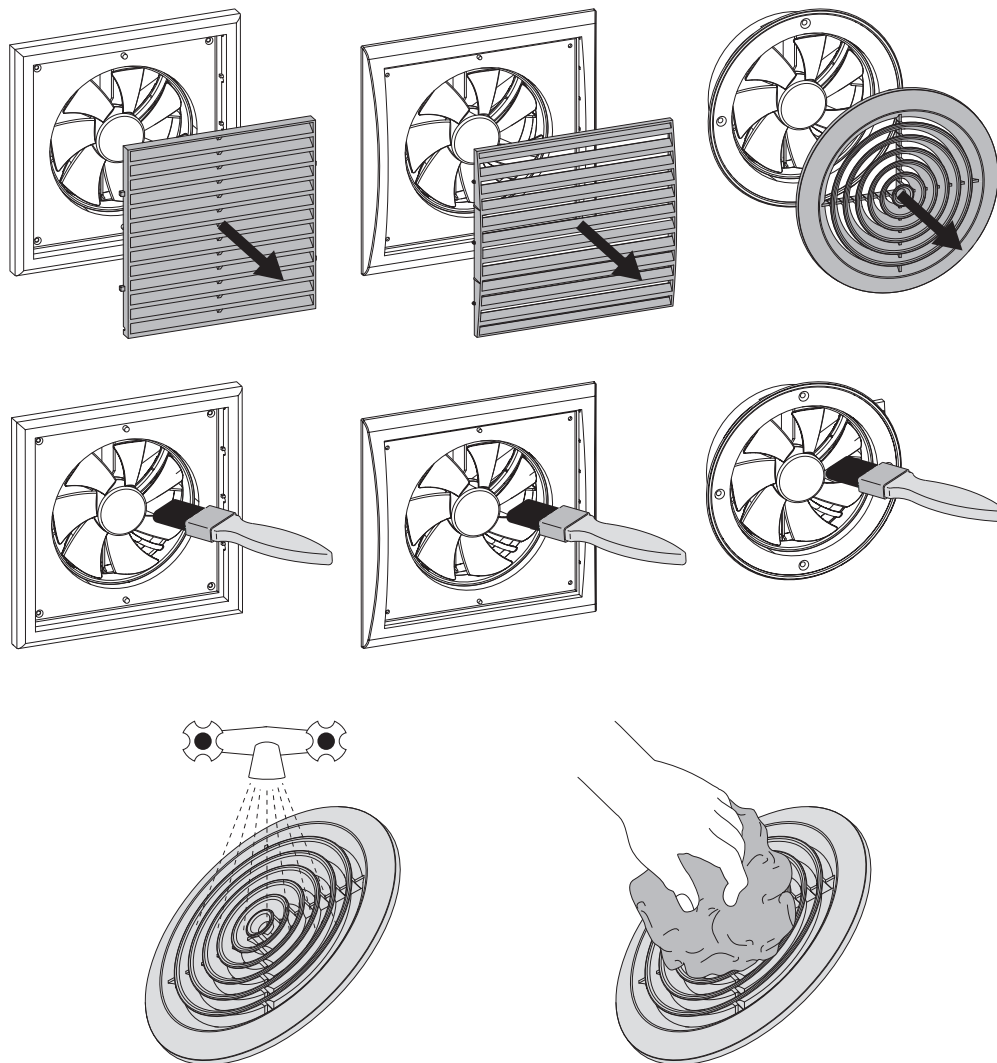


**DISCONNECT THE UNIT FROM POWER SUPPLY  
BEFORE ANY MAINTENANCE OPERATIONS.**

Maintenance operations of the unit are required 3-4 times per year.  
Uplift the latches carefully to open the front cover with a flat screwdriver.  
To clean the fan use a soft cloth or a brush wetted in a mild detergent solution.



**AVOID WATER DRIPPING ON THE ELECTRIC COMPONENTS.  
WIPE THE FAN SURFACES DRY AFTER CLEANING.**



## STORAGE AND TRANSPORTATION REGULATIONS

Transportation with any transportation vehicle in the manufacturer's original package.  
Store the fan in the manufacturer's original packing box in a dry ventilated premise at ambient temperatures from +5 °C up to + 40 °C and relative humidity below 80 %.  
Storage environment must not contain aggressive vapours and chemical mixtures provoking corrosion, insulation and sealing deformation.

## MANUFACTURER'S WARRANTY

The fan is manufactured at the factory of "Ventilation systems" PrJSC (hereinafter referred to as the manufacturer).

The manufacturer hereby warrants normal operation of the unit for 60 months after the retail sale date provided the user's observance of the transportation, storage, mounting and operation regulations.

Should any malfunctions occur in the course of the fan operation through the manufacturer's fault during the guaranteed period of operation the user is entitled to elimination of faults by the manufacturer by means of warranty repair at the factory free of charge.

The warranty repair means performing works specific to elimination of faults in the fan operation to ensure its intended use by the user within the warranty period.

The defects are eliminated by means of replacement or repair of the complete fan or a faulty part thereof.

### The warranty repair does not include:

- routine technical maintenance
- fan installation / dismantling
- fan setup

To benefit from warranty repair the user must provide the fan, the user's manual with the purchase date stamp and the payment document certifying the purchase.

The fan model must comply with the one stated in the user's manual.

Contact the product seller for warranty service, repair or replacement.

### The manufacturer's warranty does not apply to the following cases:

- User's failure to submit the fan with the entire delivery package as stated in the user's manual including submission with missing component parts previously dismantled by the user.
- Mismatch of the fan model and make with the respective details stated on the fan packing and in the user's manual.
- User's failure to ensure timely technical maintenance of the fan.
- External damage to the casing (excluding external modifications of the fan as required for its installation) and the internal components of the fan.
- Alteration of the fan design or engineering changes of the fan.
- Replacement and use of the assemblies, parts and components not approved by the manufacturer.
- Not intended use of the fan.
- User's violation of the fan control regulations.
- Fan connection to the power mains with a voltage different from the one stated in the user's manual or on the label attached to the fan casing.
- Fan breakdown due to voltage surges in the power mains.
- User's discretionary repair of the fan.



**FOLLOWING THE REGULATIONS STIPULATED HEREIN WILL ENSURE A LONG AND TROUBLE-FREE OPERATION OF THE UNIT.**



**USERS' WARRANTY CLAIMS SHALL BE SUBJECT TO REVIEW ONLY UPON PRESENTATION OF THE UNIT, THE PAYMENT DOCUMENT AND THE USER'S MANUAL WITH THE PURCHASE DATE STAMP.**

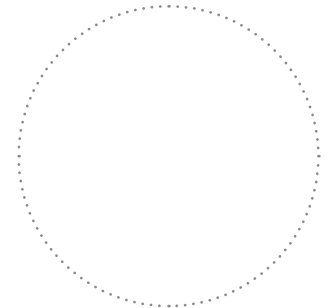


### ACCEPTANCE CERTIFICATE

<b>Unit Type</b>	Axial fan for exhaust ventilation
<b>Model</b>	VENTS 125 IF _____
<b>Serial Number</b>	
<b>Manufacture Date</b>	
<p>Is compliant with the technical specifications and is recognized as serviceable. We hereby declare that the product complies with the essential protection requirements of Electromagnetic Council Directive 2004/108/EC, 89/336/EEC and Low Voltage Directive 2006/95/EC, 73/23/EEC and CE-marking Directive 93/68/EEC on the approximation of the laws of the Member States relating to electromagnetic compatibility. This certificate is issued following test carried out on samples of the product referred to above.</p>	
<b>Quality Inspector's Stamp</b>	

### SELLER INFORMATION

<b>Seller</b>	
<b>Address</b>	
<b>Phone Number</b>	
<b>E-mail</b>	
<b>Purchase Date</b>	



Seller's Stamp

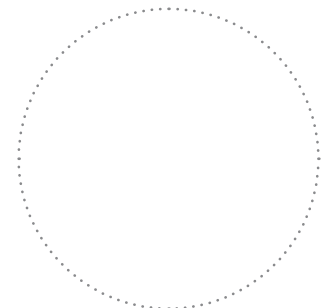
This is to certify acceptance of the complete unit delivery with the user's manual. The warranty terms are acknowledged and accepted.

<b>Customer's Signature</b>	
-----------------------------	--

### MOUNTING CERTIFICATE

Axial fan for exhaust ventilation VENTS 125 IF \_\_\_\_\_ has been connected to power mains pursuant to the requirements stated in the present user's manual.

<b>Company Name</b>	
<b>Address</b>	
<b>Phone Number</b>	
<b>Installation Technician's Full Name</b>	
<b>Installation Date:</b>	<b>Signature:</b>



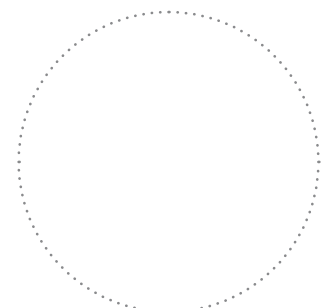
Seller's Stamp

The unit has been installed in accordance with the provisions of all the applicable local and national construction, electrical and technical codes and standards. The unit operates normally as intended by the manufacturer.

<b>Signature:</b>	
-------------------	--

### WARRANTY CARD

<b>Unit Type</b>	Axial fan for exhaust ventilation
<b>Model</b>	VENTS 125 IF _____
<b>Serial Number</b>	
<b>Manufacture Date</b>	
<b>Purchase Date</b>	
<b>Warranty Period</b>	
<b>Seller</b>	



Seller's Stamp



V01(IF)EN-01