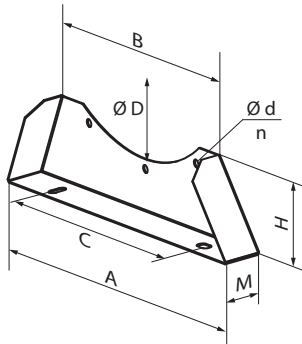


**O-VPVO**  
carrier



■ **Purpose**

Used for mounting the fans to the floor, walls or ceiling.

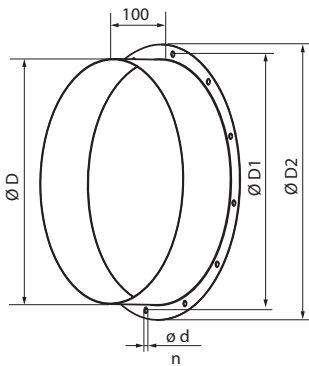
■ **Design**

The carrier consists of two brackets. The unit is made of steel with a polymer coating.

■ **Overall dimensions**

Model	Dimensions [mm]								Weight [kg]
	A	B	D	H	C	M	Ød	n	
O-VPVO 400	446	318	438	100	295	44	9,1	3	0,7
O-VPVO 450	546	374	487	115	355	44	9,1	3	0.9
O-VPVO 500	568	376	541	116	375	45	9,1	3	1,29
O-VPVO 560	568	390	605	113	355	45	10,2	3	1,32
O-VPVO 630	808	578	674	174	515	45	11,5	5	2,13

**F-VPVO**  
flange



■ **Purpose**

Enables attaching round ducts of appropriate size to the fan.

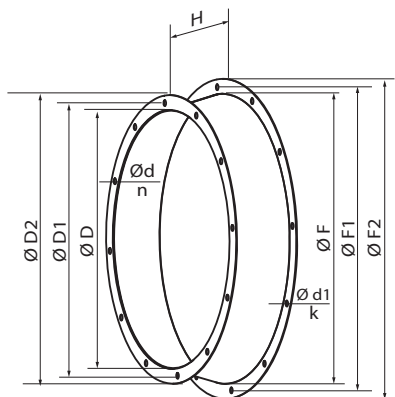
■ **Design**

The unit is made of steel with a polymer coating.

■ **Overall dimensions**

Model	Dimensions [mm]					Weight [kg]
	D	D1	D2	Ød	n	
F-VPVO 400	400	438	465	9,5	12	1,3
F-VPVO 450	450	487	515	9,5	12	1,4
F-VPVO 500	500	541	570	9,5	12	1,6
F-VPVO 560	560	605	636	11,5	16	1,98
F-VPVO 630	630	674	715	11,5	16	2,1

**VK-VPVO**  
inlet cone



■ **Purpose**

The inlet cone should be installed upstream of the fan to improve the air flow parameters. However, it becomes a must in the absence of ducting attached to the fan inlet. The inlet cone helps reduce the fan dynamic pressure and increase the static component of the total fan pressure. The unit can be used in combination with the SZ-VPVO protective mesh which must be one size larger than the unit.

■ **Design**

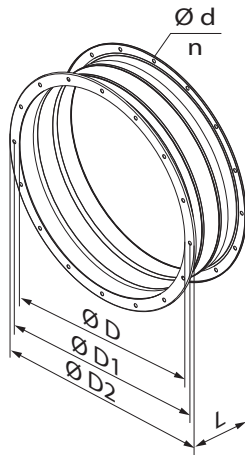
The unit has two flanges and is made of steel with a polymer coating.

■ **Overall dimensions**

Model	Dimensions [mm]											Weight [kg]
	D	D1	D2	Ød	n	F	F1	F2	H	Ød1	k	
VK-VPVO 400	412	438	465	9,5	12	462	487	512	98	9,5	12	2,1
VK-VPVO 450	462	487	515	9,5	12	515	541	567	108	9,5	12	2,5
VK-VPVO 500	515	541	570	9,5	12	565	605	633	118	11,5	16	3,1
VK-VPVO 560	565	605	636	11,5	16	645	674	712	133	11,5	16	3,9
VK-VPVO 630	645	674	715	11,5	16	710	770	810	148	13	16	5,1

**VPVO FAN ACCESSORIES**

**VVGF**  
flexible joint



**Purpose**

Flexible joints cancel out any potential vibrations transmitted by the fans or air handling units to the air ducting as well as partially compensate for the air duct assembly deformations caused by temperature variation.

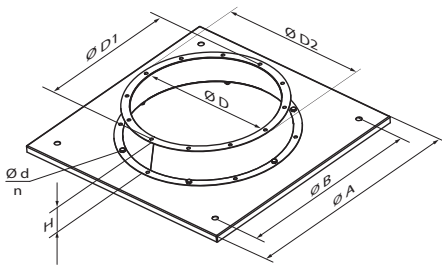
**Design**

The flexible joints are formed by two flanges joined with vibration-cancelling material and are made of zinc-plated sheets and PVC tape reinforced with polyamide fabric. The joints are not intended to withstand any significant mechanical loads and, therefore, may not be used as load-bearing structures.

**Overall dimensions**

Model	Dimensions [mm]						Weight [kg]
	D	D1	D2	L	Ød	n	
<b>VVGF 400</b>	412	438	465	160	9,5	12	2,57
<b>VVGF 450</b>	462	487	515	160	9,5	12	2,88
<b>VVGF 500</b>	515	541	570	160	9,5	12	3,81
<b>VVGF 560</b>	565	605	636	160	11,5	16	4,53
<b>VVGF 630</b>	645	674	715	160	11,5	16	5,13

**PK-VPVO**  
roof adapter



**Purpose**

The unit is used for mounting VPVO on rooftops.

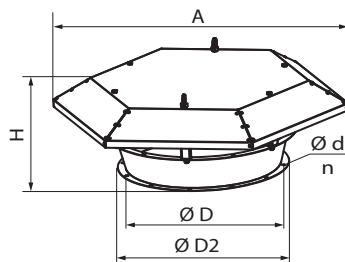
**Design**

The unit is made of steel with a polymer coating.

**Overall dimensions**

Model	Dimensions [mm]								Weight [kg]
	D	D1	D2	A	B	H	Ød	n	
<b>PK-VPVO 400</b>	412	438	465	701	580	118	9,5	12	6,51
<b>PK-VPVO 450</b>	462	487	515	701	580	128	9,5	12	6,43
<b>PK-VPVO 500</b>	515	541	570	769	640	138	9,5	12	9,43
<b>PK-VPVO 560</b>	565	605	636	921	750	153	11,5	16	13,3
<b>PK-VPVO 630</b>	645	674	715	921	750	168	11,5	16	13,5

**Z-VPVO**  
hood



**Purpose**

Ensures trouble-free operation of VPVO fans on rooftops.

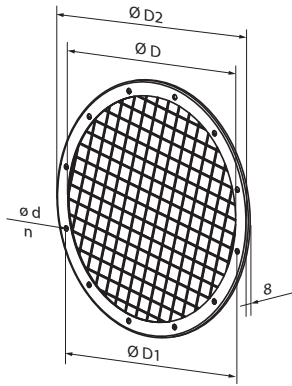
**Design**

The unit is made of steel with a polymer coating.

**Overall dimensions**

Model	Dimensions [mm]							Weight [kg]
	D	D1	D2	A	H	Ød	n	
<b>Z-VPVO 400</b>	412	438	465	843	245	9,5	12	7,7
<b>Z-VPVO 450</b>	462	487	515	892	270	9,5	12	8,61
<b>Z-VPVO 500</b>	515	541	570	885	303	9,5	12	9,72
<b>Z-VPVO 560</b>	565	605	636	966	329	11,5	16	11,48
<b>Z-VPVO 630</b>	645	674	715	1182	359	11,5	16	16,55

**SZ-VPVO**  
protective mesh



■ **Purpose**  
Protects the fans against foreign objects.

■ **Design**  
Protective mesh with 25x25 mm cells.

■ **Overall dimensions**

Model	Dimensions [mm]					Weight [kg]
	D	D1	D2	Ød	n	
SZ-VPVO 400	412	438	465	9,5	12	0,8
SZ-VPVO 450	462	487	515	9,5	12	0,9
SZ-VPVO 500	515	541	570	9,5	12	1,1
SZ-VPVO 560	565	605	636	11,5	16	1,5
SZ-VPVO 630	645	674	715	11,5	16	1,7