

PLASTIC HVAC GRILLES

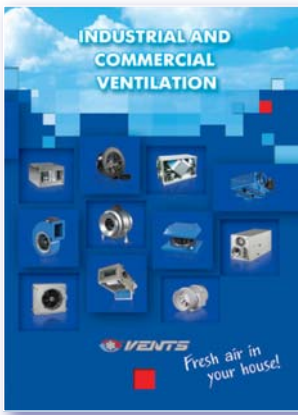


Profiplast



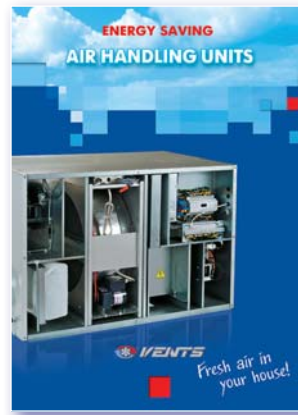
2013

Fresh air in
your house!



Industrial and commercial ventilation
(Catalogue no. 1)

Industrial and commercial ventilation components - fans for round and rectangular ducts, sound-insulated, axial and roof fans, air handling units with heat recovery, air heating units, accessories.



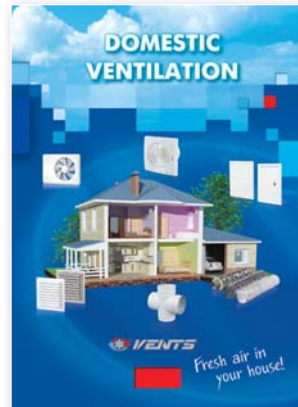
Energy saving ventilation
Air handling units
(Catalogue no. 2)

Energy saving supply and exhaust units and air handling units with heat recovery with air capacity up to 6500 m³/h.



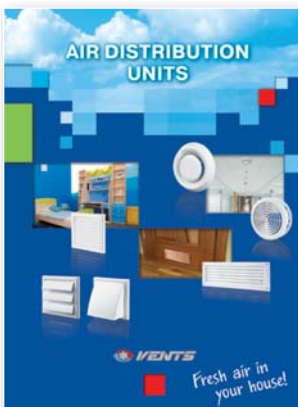
Fire and smoke damper KPDU
(Catalogue no. 5)

Fire dampers KPDU for smoke protection systems of buildings and premises.



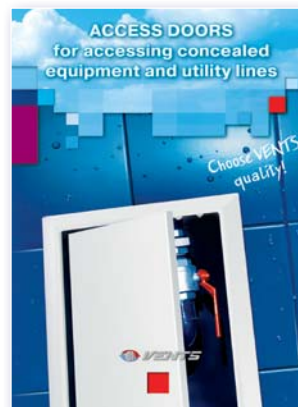
Domestic ventilation
(Catalogue no. 6)

Domestic ventilation: fans, mono-pipe exhaust kitchen and bathroom fans, air distribution units, air ducts and fittings, access doors, ventilation kits.



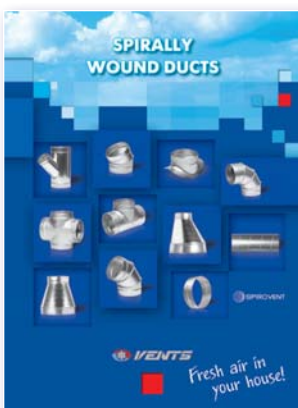
Air distribution units
(Catalogue no. 9)

Plastic and metal air distribution products (grilles, disk valves, diffusers, etc.) for ventilation, air conditioning and heating.



Access doors
(Catalogue no. 10)

Plastic and metal access doors for accessing concealed equipment and utility lines. Special offers for ceramic tiles.



Spiral seam air ducts
(Catalogue no. 13)

SPIROVENT spiral seam vent ducts and fittings of 100 to 1600 mm diameter.



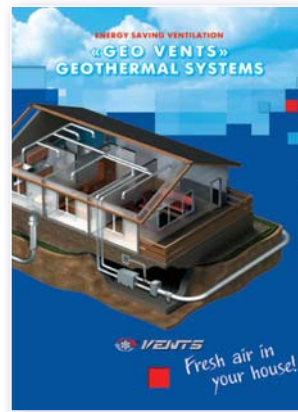
Flexible ducts and fittings for ventilation, air conditioning and heating
(Catalogue no. 14)

Flexible and semi-flexible air ducts made of polymeric materials, aluminium, galvanized or stainless steel, metal fittings for ventilation, air conditioning, heating, gas handling and abrasive particles aspiration.



**Air handling units
AIRVENTS
(Catalogue no. 3)**

Energy saving air handling units with air capacity up to 40 000 m³/h, for use in large residential, industrial and commercial objects.



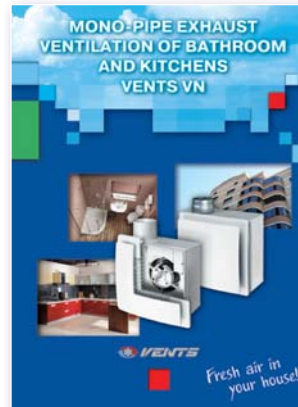
**Energy saving ventilation
Geothermal systems
GEO VENTS
(Catalogue no. 4)**

Energy saving system GEO VENTS with use of the earth's surface layers heat. High ventilation system energy efficiency and low operating costs.



**Domestic fans
(Catalogue no. 7)**

Domestic fans with air capacity up to 365 m³/h with extra functions: timer, humidity sensor, motion sensor, etc. Applied for premises up to 30 m².



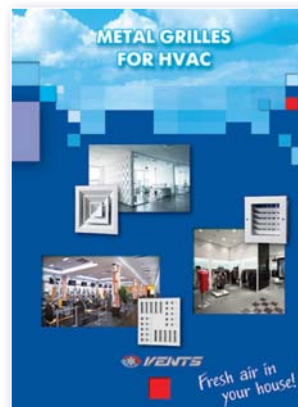
**VENTS VN
Mono-pipe exhaust ventilation
(Catalogue no. 8)**

Exhaust ventilation in houses with mono-pipe ventilation system based on VENTS VN fans.



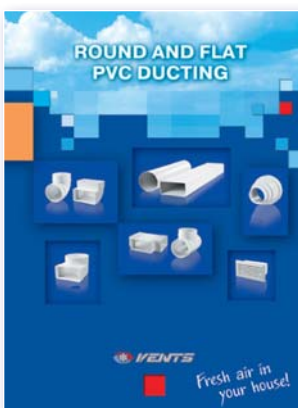
**Plastic grilles for ventilation and air conditioning
(Catalogue no. 11)**

PROFIPLAST extruded plastic grilles for ventilation and air conditioning.



**Metal grilles for ventilation, air conditioning and heating
(Catalogue no. 12)**

Metal grilles made of extruded metal profile for ventilation and air conditioning.



**Flat and round PVC air ducts
(Catalogue no. 15)**

Flat and round PVC ducts PLASTIVENT for ventilation of residential, office and commercial premises and connection of exhaust ventilation equipment (kitchen extractors, hoods, exhaust boxes, etc). Wide product range of fittings.



**Energy saving ventilation.
Single room energy recovery ventilators.
(Catalogue no. 16)**

Single room reverse ventilators with energy regeneration for efficient ventilation and lowest investments in ready-built and brand new premises.



CONTENT

	About us	4
	Profiplast	6
	Supply and exhaust NHN series grilles	8
	Supply and exhaust NVN series grilles	10
	Exhaust GR series grilles	12
	Supply and exhaust RD series grilles	14
	Supply and exhaust ND series grilles	16
	Supply and exhaust NK-3 series grilles	18
	Supply and exhaust NK-4 series grilles	20

WELCOME TO THE VENTS WORLD!



VENTS company was founded in the nineties of the XXth century.

Dynamic development of the enterprise and ongoing study of the consumer demand enabled rapid international leadership of the company in the ventilation industry.

VENTS is a powerful research and development enterprise with 2500 professionals working as a single team to ensure a full production cycle from idea to end product. The production base of the company is located at more than 60 000 m² area. It includes 16 workshops equipped under the latest international standards and each of them is comparable to a separate plant.

Modern equipment, active implementation of advanced technologies and highly automated production are the characteristic features of VENTS company.

The company undergoes rapid dynamic development; fundamental researches and effective designs in climatic equipment industry are in the focus of the company's business strategy.

The joint cooperation of the corporate design department, test laboratories and production workshops let us introduce high quality products to the market.

Special attention is paid to the manufacturing of the goods during all manufacturing stages including monitoring of the technological conditions. Technical characteristics of supplied raw materials are thoroughly checked. Quality control system which meets international standard requirements ISO 9001:2000 was implemented at the enterprise.

Environmental protection is one of the basic components of the corporate development. The technological process at the enterprise is arranged in such a way as to exclude any negative impact to the environment. To solve the global energy saving problem we develop a special climatic equipment that provides comfortable conditions for people and reduces the energy demand significantly.

Perfect quality, competitive prices, high production potential, technical capabilities and the wide product range stimulate long-term partnership and product promotion all over the world.

The VENTS ventilation products are exported to more than 90 countries and are sold through the distribution network of 120 companies worldwide. Share of the VENTS products globally is above 10%.

VENTS is a member of high-rank international organizations, the leading HVAC experts.

Since 2008 VENTS has been a fully-featured member of HARDI Association (Heating, Air-conditioning and Refrigeration Distributors International, USA).

Since 2010 VENTS has been a participant of AMCA Association (the Air Movement and Control Association (AMCA) International, Inc.). In 2011 VENTS successfully passed tests for compliance with AMCA standards and the VENTS products were certified for the USA market.

In 2011 VENTS joined HVI (Home Ventilation Institute, USA) Association.





Metal processing workshop



Spiral air ducts workshop



Flexible air ducts workshop



Aluminium grilles and diffusers workshop



Powder coating workshop



Wet coating workshop



Extrusion workshop



Injection moulding workshop



Residential fans workshop



Ventilation grilles workshop



Electric motors workshop



Industrial fans workshop



Air handling units workshop



AirVents air handling units workshop



Electrical accessories workshop



Extruded grilles workshop

Powerful production facilities, high automation level, active implementation of innovative technologies in the production process made VENTS a worldwide ventilation leader.

We manufacture our products with respect to unique geographical, climatic, technical features of each country and do our best to fulfill the client's wishes anywhere anytime.



Get benefit from cooperation with VENTS TM and enjoy the maximum range of products of the top quality from one manufacturer.

PLASTIC HVAC GRILLES



Profiplast means ideal air flows distribution

Quality and functionality of ventilation and air conditioning depends a lot on end air distribution, supply and intake devices.

Profiplast are the professional air distribution systems with a great product variety to implement any technical and project designs that are featured with extreme durability.

The benefits of Profiplast products are due to the use of specially designed plastics. These offer the following advantages to consumers: Profiplast grilles produce no condensation, have excellent sound-insulating and corrosion-resistant properties. Moreover they are non-flammable and are easy to paint.

Plastic properties

Generally, plastic is the most widely used construction material due to the beneficial properties:

- Durability combined with a maintenance-free service life
- Extremely low heat conductivity and good sound insulation
- UV-resistance
- Good hygienic properties and easy to clean
- Detergent resistant
- The best balance of price and quality
- Corrosion- and decay-resistance
- Eco-friendly because it is 100% recyclable

The goods made of specially designed plastic:

- Prevent fire propagation because of their flame-proof qualities and have high fire safety properties.
- Totally recyclable at the end of the service life to get new products.
- Offer the best combination of price and quality.

The specially designed plastic is widely used for all plastic technologies and its application range is very comprehensive. There is no other comparable material that is as usable and reliable for this application as Profiplast plastic. The specially designed plastic is the ideal solution for any applications requiring low maintenance, good sound insulation, consistent use, heavy operation load, ease of servicing, low flammability and high eco requirements.

These properties make plastic the best solution for premises with high hygiene standards.

NHN (NUN) series



Ventilation grille with unregulated vertical inclined vanes

Application

- Supply and exhaust ventilation, heating and air conditioning networks in industrial, commercial and domestic premises.

Design

- Made of high-quality plastic.
- Weather- and temperature-resistant.
- Removable spring-loaded vanes for simple maintenance.
- Simple and quick mounting.



Colour modifications



UV-resistant



Waterproof



Heat-resistant



Frostproof



Easy mounting



Fire-resistant



Antibacterial



Impact-resistant

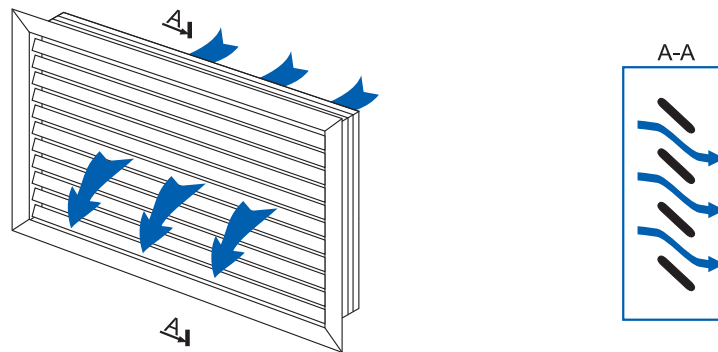


Durable

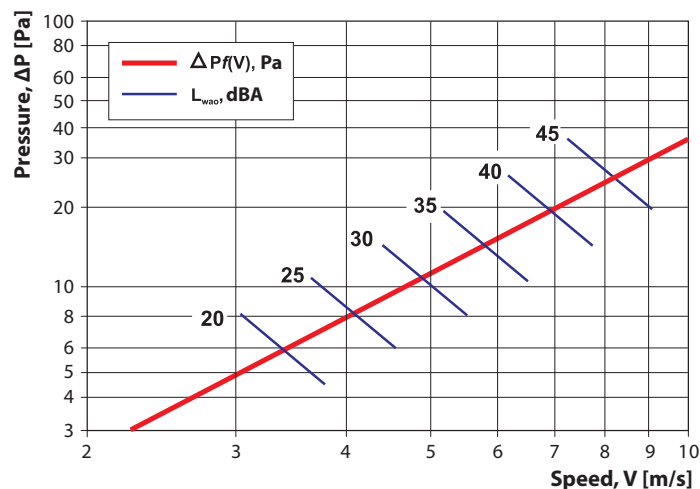


Maintenance-free

Air flow distribution

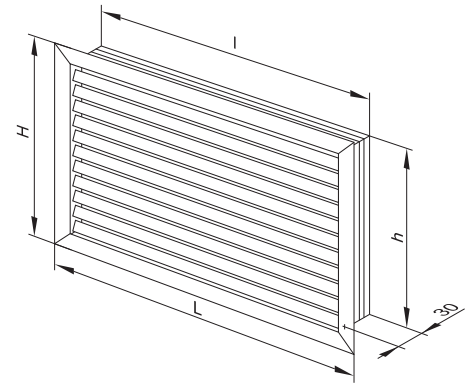


Pressure loss and sound power diagram

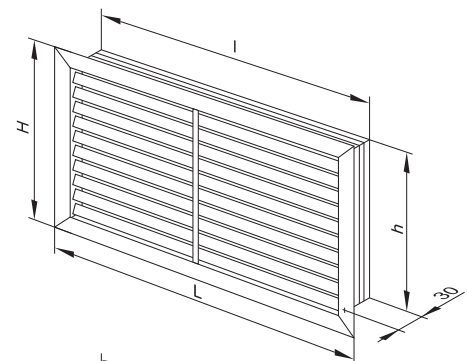


Overall dimensions

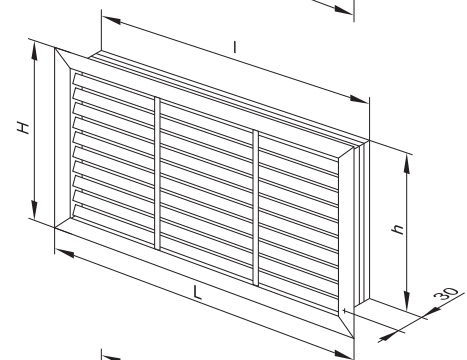
Model	Dimensions [mm]				Air pass [m ²]
	H	L	h	l	
NUN 200×200	214	214	200	200	0,0066
NHN 300×200	214	303	200	289	0,0104
NHN 350×200	214	363	200	349	0,0131
NHN 400×200	214	392	200	378	0,0143
NHN 450×200	214	452	200	438	0,0170
NHN 500×200	214	512	200	498	0,0196
NHN 600×200	214	602	200	588	0,0235
NUN 300×300	303	303	289	289	0,0169
NHN 350×300	303	363	289	349	0,0212
NHN 400×300	303	392	289	378	0,0232
NHN 450×300	303	452	289	438	0,0275
NHN 500×300	303	512	289	498	0,0317
NHN 600×300	303	602	289	588	0,0381
NUN 350×350	363	363	349	349	0,0267
NHN 400×350	363	392	349	378	0,0292
NHN 450×350	363	452	349	438	0,0346
NHN 500×350	363	512	349	498	0,0399
NHN 600×350	363	602	349	588	0,0480
NUN 400×400	392	392	378	378	0,0321
NHN 450×400	392	452	378	438	0,0380
NHN 500×400	392	512	378	498	0,0439
NHN 600×400	392	602	378	588	0,0527
NUN 450×450	452	452	438	438	0,0451
NHN 500×450	452	512	438	498	0,0521
NHN 600×450	452	602	438	588	0,0626
NUN 500×500	512	512	498	498	0,0603
NHN 600×500	512	602	498	588	0,0724



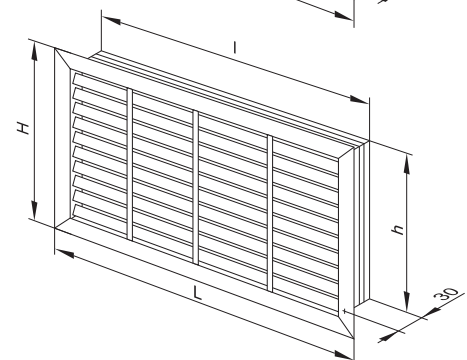
Model	Dimensions [mm]				Air pass [m ²]
	H	L	h	l	
NUN 580×580	599	599	585	585	0,0755
NUN 600×600	602	602	588	588	0,0764
NHN 900×200	214	912	200	898	0,0341
NHN 900×300	303	912	289	898	0,0553
NHN 900×350	363	912	349	898	0,0696
NHN 900×400	392	912	378	898	0,0765
NHN 900×450	452	912	438	898	0,0909
NHN 900×500	512	912	498	898	0,1052
NHN 900×600	602	912	588	898	0,1266



Model	Dimensions [mm]				Air pass [m ²]
	H	L	h	l	
NHN 1200×300	303	1214	289	1200	0,0719
NHN 1200×350	363	1214	349	1200	0,0906
NHN 1200×400	392	1214	378	1200	0,0996
NHN 1200×450	452	1214	438	1200	0,1182
NHN 1200×500	512	1214	498	1200	0,1369
NHN 1200×600	602	1214	588	1200	0,1648
NHN 1350×300	303	1364	289	1350	0,0825
NHN 1350×350	363	1364	349	1350	0,1039
NHN 1350×400	392	1364	378	1350	0,1143
NHN 1350×450	452	1364	438	1350	0,1357
NHN 1350×500	512	1364	498	1350	0,1570
NHN 1350×600	602	1364	588	1350	0,1891



Model	Dimensions [mm]				Air pass [m ²]
	H	L	h	l	
NHN 1500×300	303	1514	289	1500	0,0884
NHN 1500×350	363	1514	349	1500	0,1113
NHN 1500×400	392	1514	378	1500	0,1224
NHN 1500×450	452	1514	438	1500	0,1453
NHN 1500×500	512	1514	498	1500	0,1683
NHN 1500×600	602	1514	588	1500	0,2027



NVN (NUN) series



Ventilation grille with unregulated horizontal inclined vanes

Application

- Supply and exhaust ventilation, heating and air conditioning networks in industrial, commercial and domestic premises.

Design

- Made of high-quality plastic.
- Weather- and temperature-resistant.
- Removable spring-loaded vanes for simple maintenance.
- Simple and quick mounting.

Colour modifications



UV-resistant



Waterproof



Heat-resistant



Frostproof



Easy mounting



Fire-resistant



Antibacterial



Impact-resistant

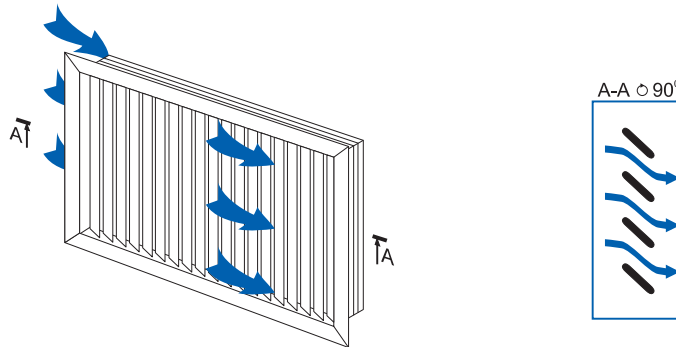


Durable

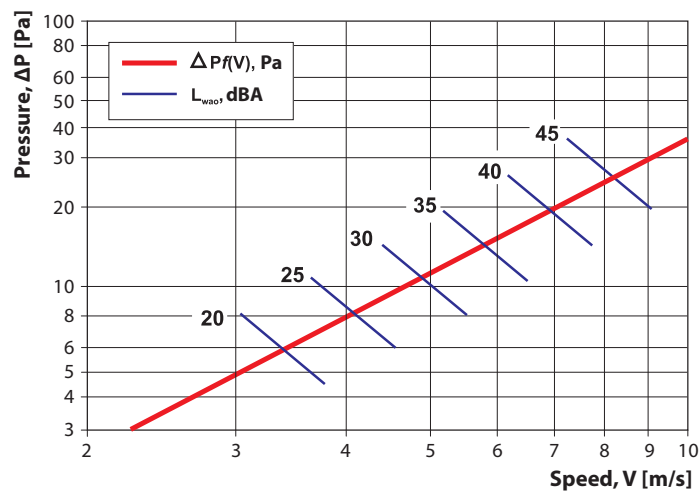


Maintenance-free

Air flow distribution

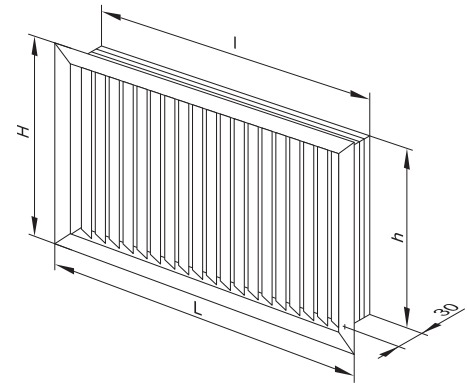


Pressure loss and sound power diagram

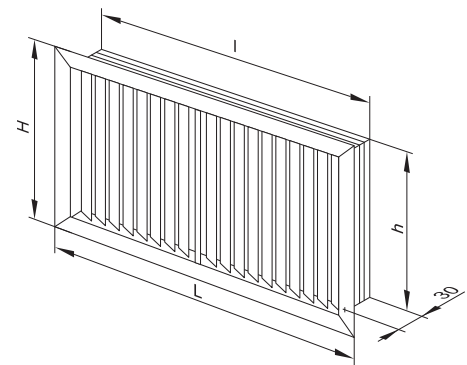


Overall dimensions

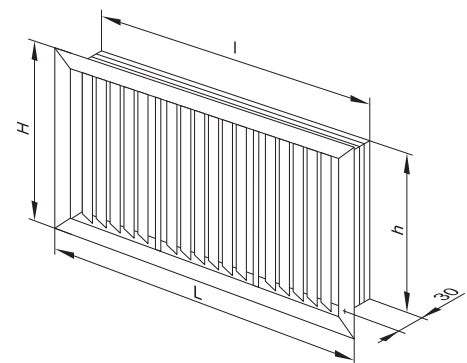
Model	Dimensions [mm]				Air pass [m ²]
	H	L	h	l	
NUN 200×200	214	214	200	200	0,0066
NVN 300×200	214	303	200	289	0,0106
NVN 350×200	214	363	200	349	0,0134
NVN 400×200	214	392	200	378	0,0147
NVN 450×200	214	452	200	438	0,0174
NVN 500×200	214	512	200	498	0,0202
NVN 600×200	214	602	200	588	0,0243
NUN 300×300	303	303	289	289	0,0169
NVN 350×300	303	363	289	349	0,0213
NVN 400×300	303	392	289	378	0,0234
NVN 450×300	303	452	289	438	0,0278
NVN 500×300	303	512	289	498	0,0322
NVN 600×300	303	602	289	588	0,0387
NUN 350×350	363	363	349	349	0,0267
NVN 400×350	363	392	349	378	0,0293
NVN 450×350	363	452	349	438	0,0348
NVN 500×350	363	512	349	498	0,0402
NVN 600×350	363	602	349	588	0,0484
NUN 400×400	392	392	378	378	0,0321
NVN 450×400	392	452	378	438	0,0531
NVN 500×400	392	512	378	498	0,0441
NVN 600×400	392	602	378	588	0,0381
NUN 450×450	452	452	438	438	0,0451
NVN 500×450	452	512	438	498	0,0629
NVN 600×450	452	602	438	588	0,0522
NUN 500×500	512	512	498	498	0,0603
NVN 600×500	512	602	498	588	0,0726
NUN 580×580	599	599	585	585	0,0872
NUN 600×600	602	602	588	588	0,0862



Model	Dimensions [mm]				Air pass [m ²]
	H	L	h	l	
NVN 900×200	214	934	200	920	0,0365
NVN 900×300	303	934	289	920	0,0581
NVN 1200×300	303	1234	289	1220	0,0800
NVN 900×350	363	934	349	920	0,0727
NVN 1200×350	363	1234	349	1220	0,1001
NVN 900×400	392	934	378	920	0,0798
NVN1200×400	392	1234	378	1220	0,1098
NVN 900×450	452	934	438	920	0,0944
NVN 1200×450	452	1234	438	1220	0,1299
NVN 900×500	512	934	498	920	0,1090
NVN 1200×500	512	1234	498	1220	0,1500
NVN 900×600	602	934	588	920	0,1309
NVN 1200×600	602	1234	588	1220	0,1801



Model	Dimensions [mm]				Air pass [m ²]
	H	L	h	l	
NVN 1350×300	303	1377	289	1363	0,0857
NVN 1500×300	303	1559	289	1545	0,0989
NVN 1350×350	363	1377	349	1363	0,1072
NVN 1500×350	363	1559	349	1545	0,1238
NVN 1350×400	392	1377	378	1363	0,1176
NVN 1500×400	392	1559	378	1545	0,1358
NVN 1350×450	452	1377	438	1363	0,1391
NVN 1500×450	452	1559	438	1545	0,1606
NVN 1350×500	512	1377	498	1363	0,1606
NVN 1500×500	512	1559	498	1545	0,1854
NVN 1350×600	602	1377	588	1363	0,1928
NVN 1500×600	602	1559	588	1545	0,2227



GR series



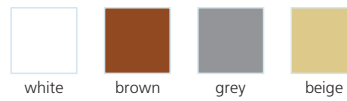
Application

- Exhaust ventilation, heating and air conditioning networks in industrial, commercial and domestic premises.

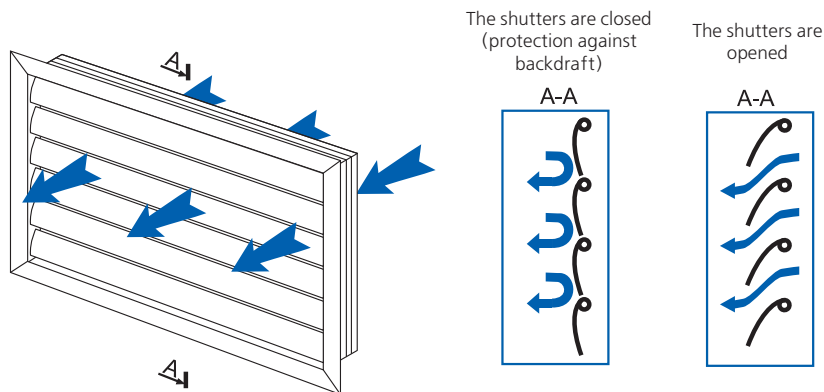
Design

- Made of high-quality plastic.
- Weather- and temperature-resistant.
- Removable spring-loaded vanes for simple maintenance.
- Simple and quick mounting.

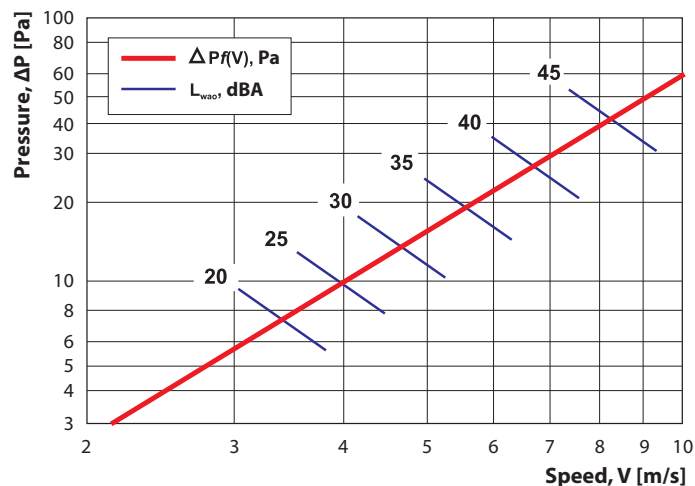
Colour modifications



Air flow distribution

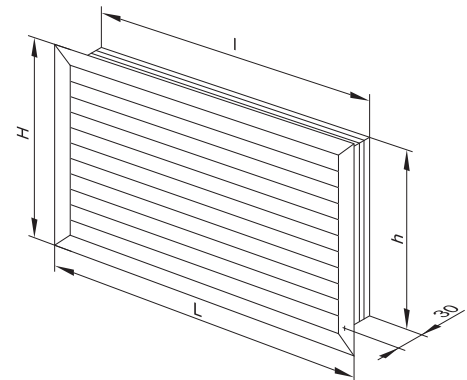


Pressure loss and sound power diagram

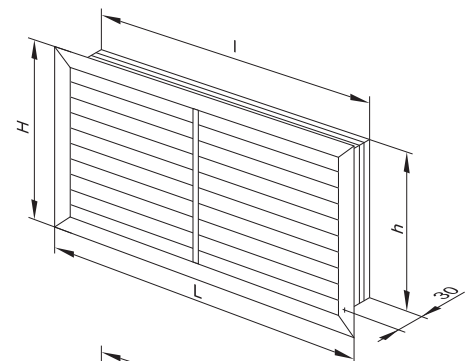


Overall dimensions

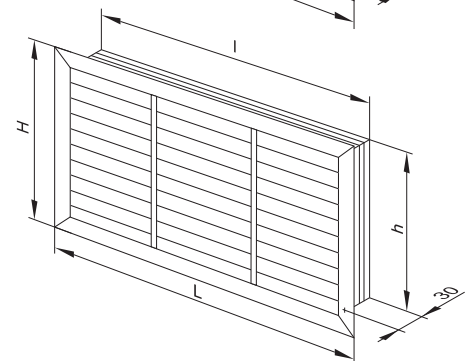
Model	Dimensions [mm]				Air pass [m ²]
	H	L	h	l	
GR 300x300	303	303	289	289	0,0543
GR 350x300	303	362	289	348	0,0677
GR 400x300	303	422	289	408	0,1013
GR 450x300	303	464	289	450	0,1132
GR 500x300	303	514	289	500	0,1530
GR 600x300	303	598	289	584	0,1816
GR 350x350	362	362	348	348	0,1512
GR 400x350	362	422	348	408	0,0813
GR 500x350	362	514	348	500	0,1022
GR 600x350	362	598	348	584	0,1212
GR 400x400	422	422	408	408	0,0813
GR 450x400	422	464	408	450	0,1132
GR 500x400	422	514	408	500	0,1274
GR 600x400	422	598	408	584	0,1816
GR 600x600	598	598	584	584	0,1816



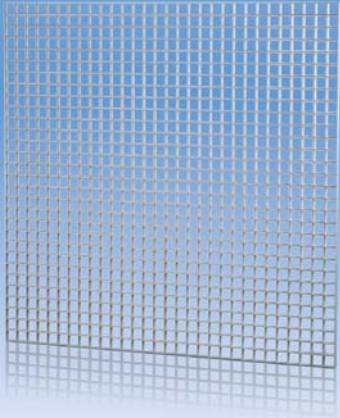
Model	Dimensions [mm]				Air pass [m ²]
	H	L	h	l	
GR 900x300	303	914	289	900	0,1882
GR 1200x300	303	1214	289	1200	0,2563
GR 900x350	362	914	348	900	0,2347
GR 1200x350	362	1214	348	1200	0,3196
GR 900x400	422	914	408	900	0,2819
GR 1200x400	422	1214	408	1200	0,3840
GR 900x600	598	914	584	900	0,4205
GR 1200x600	598	1214	584	1200	0,5727



Model	Dimensions [mm]				Air pass [m ²]
	H	L	h	l	
GR 1350x300	303	1364	289	1350	0,2856
GR 1500x300	303	1514	289	1500	0,3197
GR 1350x350	362	1364	348	1350	0,3561
GR 1500x350	362	1514	348	1500	0,3986
GR 1350x400	422	1364	408	1350	0,4278
GR 1500x400	422	1514	408	1500	0,4788
GR 1350x600	598	1364	584	1350	0,6381
GR 1500x600	598	1514	584	1500	0,7142



RD series



Decorative ventilation grille

Application

- Supply and exhaust ventilation, heating and air conditioning networks in industrial, commercial and domestic premises.

Design

- Made of high-quality plastic.
- Weather- and temperature-resistant.
- Simple and quick mounting.

Colour modifications



UV-resistant



Waterproof



Heat-resistant



Frostproof



Easy mounting



Fire-resistant



Antibacterial

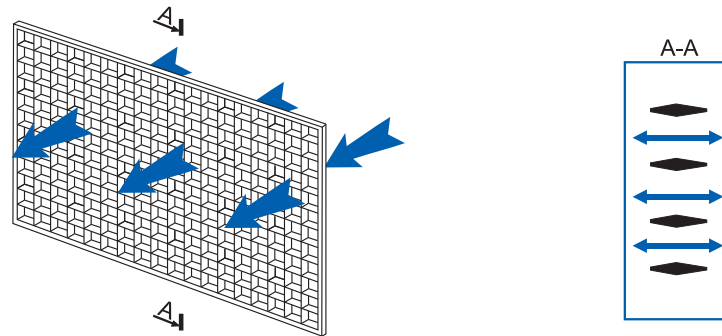


Durable

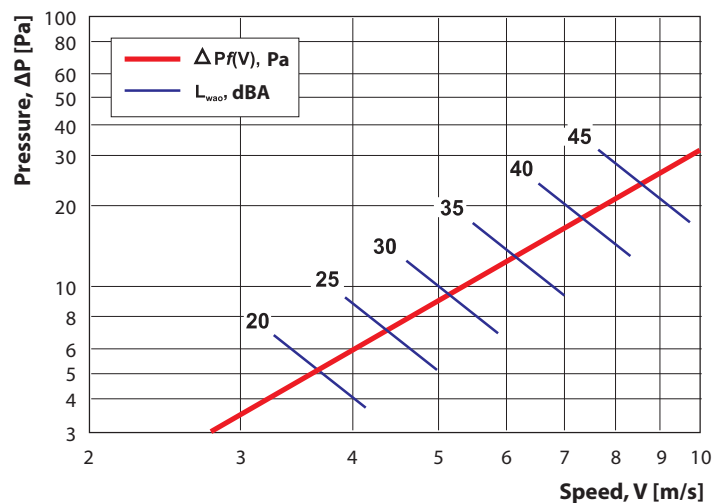


Maintenance-free

Air flow distribution

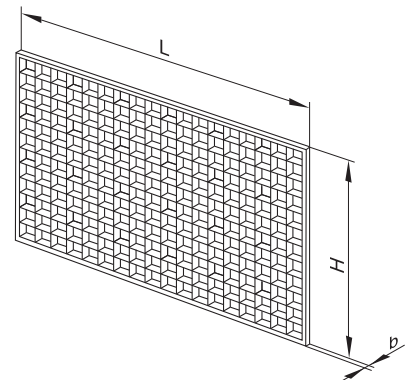


Pressure loss and sound power diagram



Overall dimensions

Model	Dimensions [mm]		
	L	H	b
RD 600/1 M	300	300	10
RD 600/2 M	600	300	10
RD 600 M	600	600	10
RD 600/6 M	600	900	10
RD 600/8 M	600	1200	10
RD 600/1 L	300	300	12
RD 600/2 L	600	300	12
RD 600 L	600	600	12
RD 600/6 L	600	900	12
RD 600/8 L	600	1200	12
RD 600/1	300	300	15
RD 600/2	600	300	15
RD 600	600	600	15
RD 600/6	600	900	15
RD 600/8	600	1200	15



ND series



Decorative ventilation grille

Application

- Supply and exhaust ventilation, heating and air conditioning networks in industrial, commercial and domestic premises.

Design

- Made of high-quality plastic.
- Weather- and temperature-resistant.
- Simple and quick mounting.

Colour modifications



UV-resistant



Waterproof



Heat-resistant



Frostproof



Easy mounting



Fire-resistant



Antibacterial



Impact-resistant

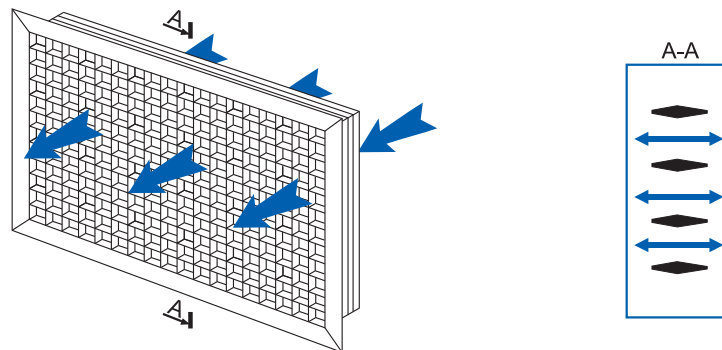


Durable

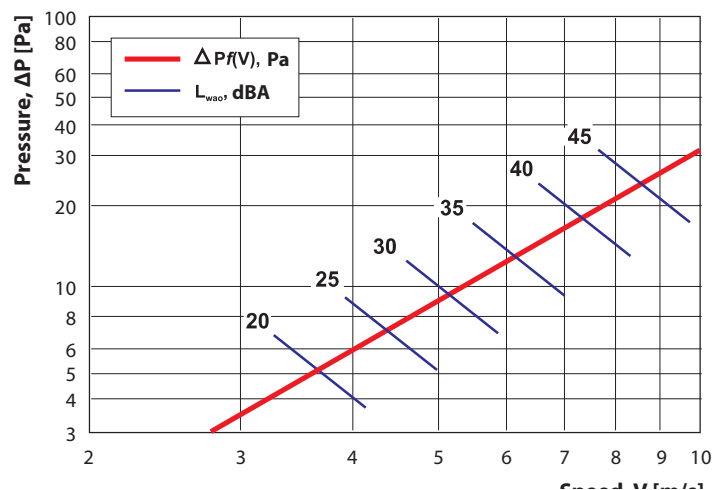


Maintenance-free

Air flow distribution

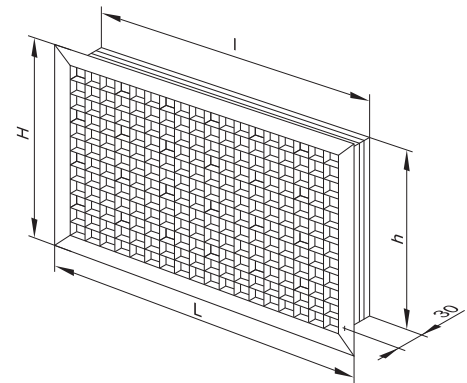


Pressure loss and sound power diagram



Overall dimensions

Model	Dimensions [mm]				Air pass [m ²]
	H	L	h	l	
ND 350×350	362	362	348	348	0,0729
ND 650×350	362	660	348	646	0,1458
ND 950×350	362	958	348	944	0,2187
ND 1250×350	362	1256	348	1242	0,2916
ND 650×650	660	660	646	646	0,2916
ND 950×650	660	958	646	944	0,4374
ND 1250×650	660	1256	646	1242	0,5832



NK-3 series



Ventilation combined grille with unregulated vanes

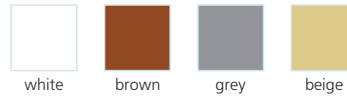
Application

- Supply and exhaust ventilation, heating and air conditioning networks in industrial, commercial and domestic premises.

Design

- Made of high-quality plastic.
- Weather- and temperature-resistant.
- Removable spring-loaded vanes for simple maintenance.
- Simple and quick mounting.
- Uniform air flow distribution.

Colour modifications



UV-resistant



Waterproof



Heat-resistant



Frostproof



Easy mounting



Fire-resistant



Antibacterial



Impact-resistant

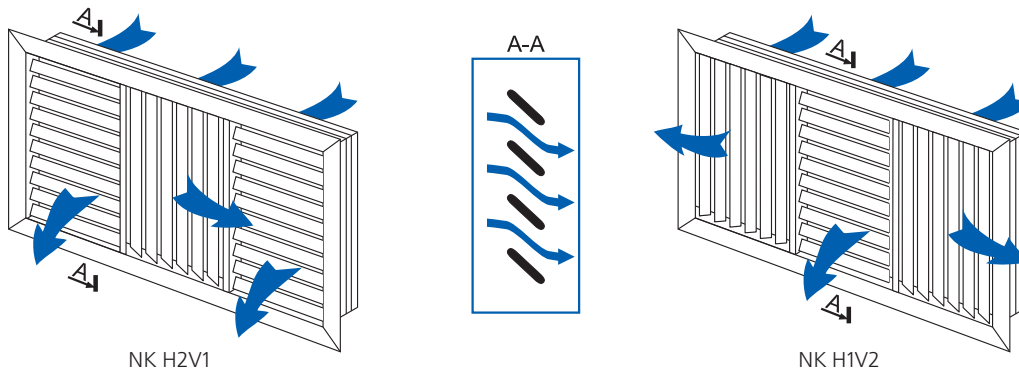


Durable

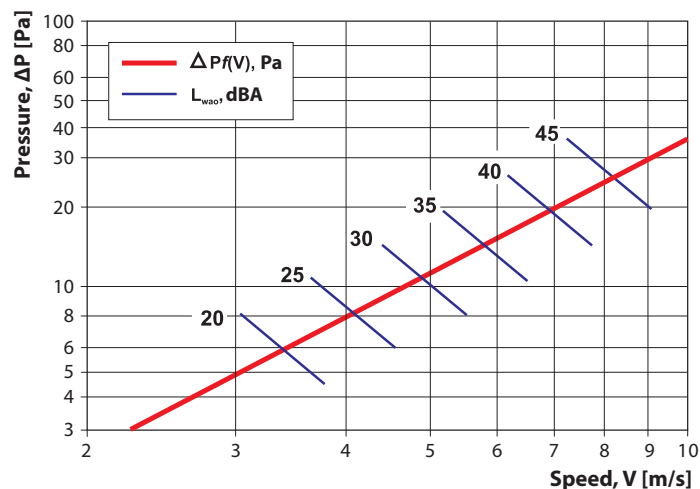


Maintenance-free

Air flow distribution

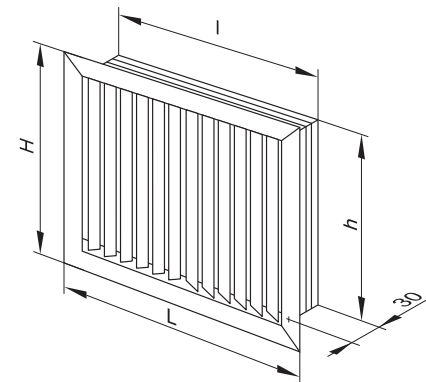


Pressure loss and sound power diagram

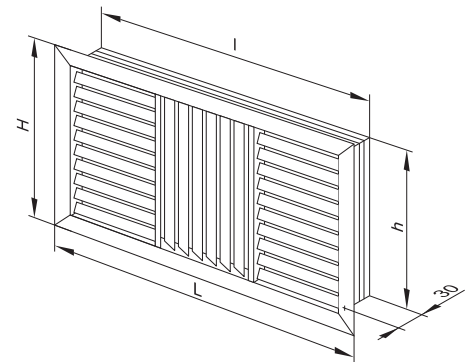


Overall dimensions

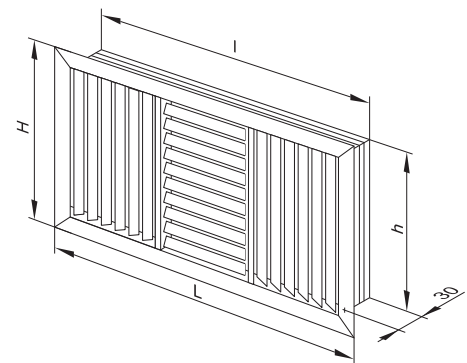
Model	Dimensions [mm]				Air pass [m ²]
	H	L	h	l	
NV NK H1V1 580x580	598	598	584	584	0,0755



Model	Dimensions [mm]				Air pass [m ²]
	H	L	h	l	
NK H2V1 1200x600	602	1214	588	1200	0,1718
NK Γ2V1 1350x600	602	1364	588	1350	0,1966
NK Γ2V1 1500x600	602	1514	588	1500	0,2213



Model	Dimensions [mm]				Air pass [m ²]
	H	L	h	l	
NK H1V2 900x300	303	929	289	915	0,0562
NK H1V2 1200x300	303	1214	289	1200	0,0969
NK H1V2 900x400	392	929	378	915	0,0774
NK H1V2 1200x400	392	1214	378	1200	0,1064
NK H1V2 900x600	602	929	588	915	0,1273
NK H1V2 1200x600	602	1214	588	1200	0,1750
NK H1V2 1350x600	602	1364	588	1350	0,2002
NK H1V2 1500x600	602	1514	588	1500	0,2253



NK-4 series



Ventilation combined grille with unregulated vanes

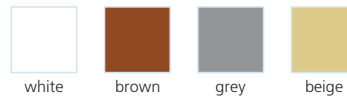
Application

- Supply and exhaust ventilation, heating and air conditioning networks in industrial, commercial and domestic premises.

Design

- Made of high-quality plastic.
- Weather- and temperature-resistant.
- Removable spring-loaded vanes for simple maintenance.
- Simple and quick mounting.
- Uniform air flow distribution.

Colour modifications



UV-resistant



Waterproof



Heat-resistant



Frostproof



Easy mounting



Fire-resistant



Antibacterial



Impact-resistant

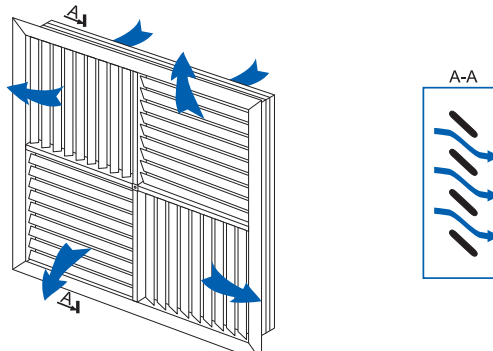


Durable

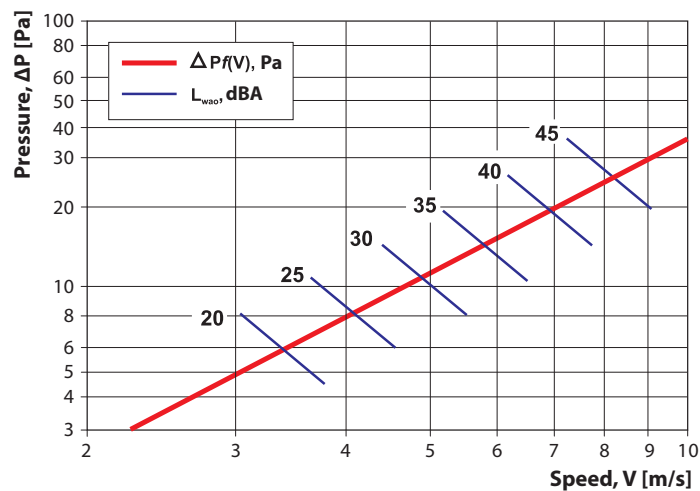


Maintenance-free

Air flow distribution

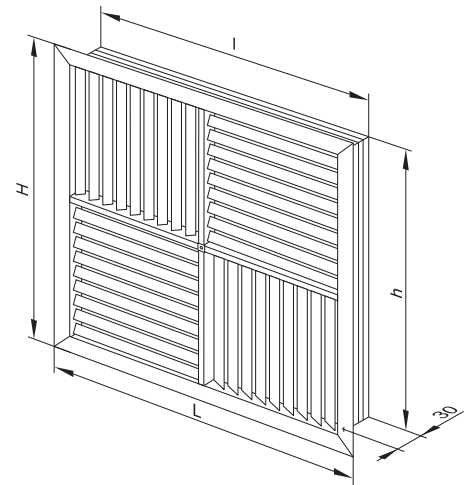


Pressure loss and sound power diagram



Overall dimensions

Model	Dimensions [mm]				Air pass [m ²]
	H	L	h	l	
NK H2V2 550x550	570	570	556	556	0,0422
NK H2V2 600x600	630	630	616	616	0,0577
NK H2V2 900x600	630	930	616	619	0,0982



VENTS reserves the rights to modify any of its products' features, designs, components and specifications at any time and without notice to maintain the development and quality of manufactured goods.

07/2013

