

Series
KG



■ **Applications**

Gravity louvre shutter for air flow cut-off in rectangular air ducts. The shutter is closed during the system standby preventing back draft.

■ **Design**

Galvanized steel with light-weighted plastic gravity blades.

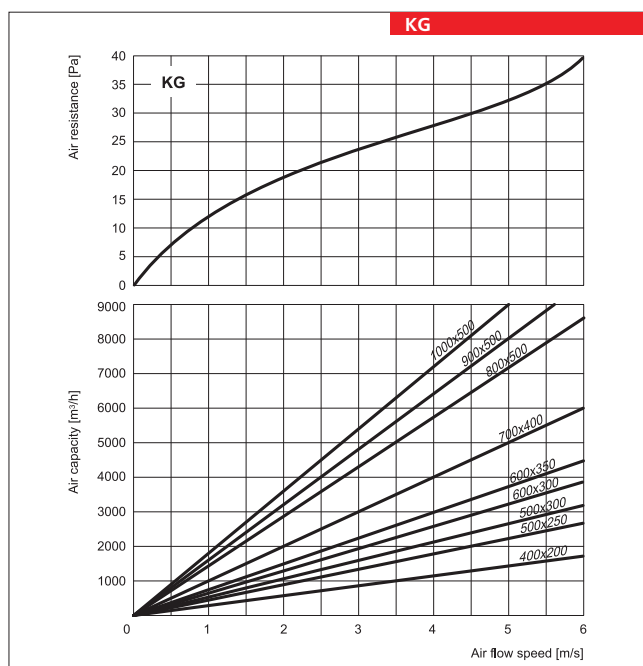
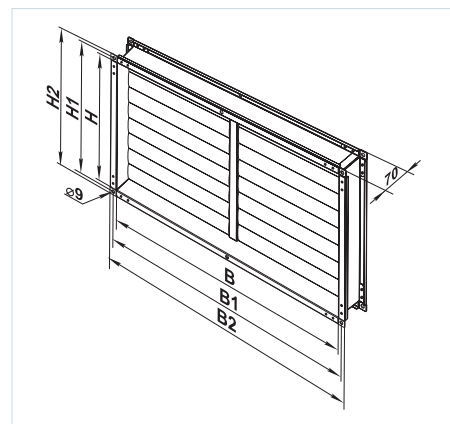
The blades open by the airflow and close when the fan is not running preventing back draft.

■ **Mounting**

Mounted horizontally in the duct allowing the blades to close under their own weight. Correct direction of airflow should be considered.

Overall dimensions:

Type	Dimensions [mm]						Weight [kg]
	B	B1	B2	H	H1	H2	
KG 400x200	400	420	440	200	220	240	1.29
KG 500x250	500	520	540	250	270	290	1.58
KG 500x300	500	520	540	300	320	340	1.83
KG 600x300	600	620	640	300	320	340	2.05
KG 600x350	600	620	640	350	370	390	2.21
KG 700x400	700	720	740	400	420	440	3.0
KG 800x500	800	820	840	500	520	540	3.6
KG 900x500	900	920	940	500	520	540	3.8
KG 1000x500	1000	1020	1040	500	520	540	4.0



Designation key:

Series	Flange dimensions [mm]
KG	400x200; 500x250; 500x300; 600x300; 600x350; 700x400; 800x500; 900x500; 1000x500