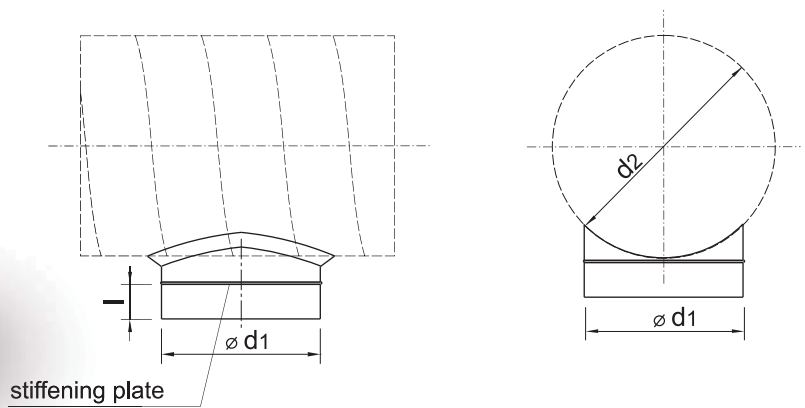


## Saddle



Type	d1, mm	d2, mm	l, mm	p, mm
Saddle 125/125	125	125	50	0.50
Saddle 150/125		150	50	0.50
Saddle 160/125		160	50	0.50
Saddle 200/140		200	50	0.50
Saddle 224/125		224	50	0.50
Saddle 250/125		250	50	0.50
Saddle 315/125		315	50	0.50
Saddle 355/125		355	60	0.50
Saddle 400/125		400	60	0.50
Saddle 150/150	150	150	50	0.50
Saddle 160/150		160	50	0.50
Saddle 200/150		200	50	0.50
Saddle 224/150		224	50	0.50
Saddle 250/150		250	50	0.50
Saddle 315/150		315	50	0.50
Saddle 355/150		355	60	0.50
Saddle 400/150		400	60	0.50
Saddle 160/160	160	160	50	0.50
Saddle 200/160		200	50	0.50
Saddle 224/160		224	50	0.50
Saddle 250/160		250	50	0.50
Saddle 315/160		315	50	0.50
Saddle 355/160		355	60	0.50
Saddle 400/160		400	60	0.50
Saddle 200/200	200	200	50	0.50
Saddle 224/200		224	50	0.50
Saddle 250/200		250	50	0.50
Saddle 315/200		315	50	0.50
Saddle 355/200		355	60	0.50
Saddle 400/200		400	60	0.50
Saddle 450/200		450	60	0.50

**SADDLE FOR STRAIGHT AIR DUCT SEGMENT**

Type	d1, mm	d2, mm	l, mm	p, mm	
Saddle 500/200	200	500	60	0.50	
Saddle 224/224		224	50	0.50	
Saddle 250/224		250	50	0.50	
Saddle 315/224		315	50	0.50	
Saddle 355/224		355	60	0.50	
Saddle 400/224		400	60	0.50	
Saddle 450/224		450	60	0.50	
Saddle 500/224		500	60	0.50	
Saddle 250/250		250	250	50	0.50
Saddle 315/250	315		50	0.50	
Saddle 355/250	355		60	0.50	
Saddle 400/250	400		60	0.50	
Saddle 450/250	450		60	0.50	
Saddle 500/250	500		80	0.50	
Saddle 560/250	560		80	0.50	
Saddle 315/315	315		315	50	0.50
Saddle 355/315			355	60	0.50
Saddle 400/315		400	60	0.50	
Saddle 450/315		450	60	0.50	
Saddle 500/315		500	80	0.50	
Saddle 560/315		560	80	0.50	
Saddle 600/315		600	80	0.50	
Saddle 355/355		355	355	60	0.50
Saddle 400/355			400	60	0.50
Saddle 450/355	450		60	0.50	
Saddle 500/355	500		80	0.50	
Saddle 560/355	560		80	0.50	
Saddle 600/355	600		80	0.50	
Saddle 630/355	630		80	0.50	
Saddle 400/400	400		400	60	0.7
Saddle 450/400			450	60	0.7
Saddle 500/400		500	80	0.7	
Saddle 560/400		560	80	0.7	
Saddle 600/400		600	80	0.7	
Saddle 630/400		630	80	0.7	
Saddle 710/400		710	80	0.7	
Saddle 800/400		800	80	0.7	
Saddle 450/450		450	450	60	0.7
Saddle 500/450	500		80	0.7	
Saddle 560/450	560		80	0.7	
Saddle 600/450	600		80	0.7	
Saddle 630/450	630		80	0.7	
Saddle 710/450	710		80	0.7	
Saddle 800/450	800		80	0.7	

## SADDLE FOR STRAIGHT AIR DUCT SEGMENT

Type	d1, mm	d2, mm	l, mm	p, mm	
Saddle 500/500	500	500	80	0.7	
Saddle 560/500		560	80	0.7	
Saddle 600/500		600	80	0.7	
Saddle 630/500		630	80	0.7	
Saddle 710/500		710	80	0.7	
Saddle 800/500		800	80	0.7	
Saddle 560/560		560	560	80	0.7
Saddle 600/560	600		80	0.7	
Saddle 630/560	630		80	0.7	
Saddle 710/560	710		80	0.7	
Saddle 800/560	800		80	0.7	
Saddle 900/560	900		100	0.7	
Saddle 1000/560	1000		100	0.7	
Saddle 600/600	600	600	80	0.7	
Saddle 630/600		630	80	0.7	
Saddle 710/600		710	80	0.7	
Saddle 800/600		800	80	0.7	
Saddle 900/600		900	100	0.7	
Saddle 1000/600		1000	100	0.7	
Saddle 630/630		630	630	80	0.7
Saddle 710/630	710		80	0.7	
Saddle 800/630	800		80	0.7	
Saddle 900/630	900		80	0.7	
Saddle 1000/630	1000		100	0.7	
Saddle 1250/630	1250		100	0.7	
Saddle 710/710	710		710	80	0.7
Saddle 800/710		800	80	0.7	
Saddle 900/710		900	100	0.7	
Saddle 1000/710		1000	100	0.7	
Saddle 1250/710		1250	100	0.7	
Saddle 800/800		800	800	80	0.7
Saddle 900/800			900	100	0.7
Saddle 1000/800	1000		100	0.7	
Saddle 1250/800	1250		100	0.7	
Saddle 900/900	900		900	100	1
Saddle 1000/900			1000	100	1
Saddle 1250/900			1250	100	1
Saddle 1000/1000	1000	1000	100	1	
Saddle 1250/1000		1250	100	1	
Saddle 1250/1120		1120	1250	100	1
Saddle 1250/1250	1250	1250	100	1	