

## MV 121 Series



### Application

- Decoration of supply and exhaust vents of public, residential and industrial ventilation systems.
- Used for correct air flow distribution in premises.
- Wall or ceiling mounting.

### Design

- Made of quality and durable plastic.
- Multi-element structure. The internal part is fixed to the base with latches for easy cleaning without dismantling.
- Screw fixing.
- The grille has straight vanes to increase air pass.

### Colour modifications



### Modifications

#### MV 121 – basic modification



- Wall or ceiling mounting.
- **MV 121 s** – model with a protecting insect screen.



#### MV 121 R – model with an air flow regulator (R)



- Equipped with a movable flap for air flow regulation.
- Air pass is regulated with a tilt wand or pull cords.
- **MV 121 Rs** – model with air flow regulator and a protecting insect screen.



#### MV 121 V – model with a round flange (V)



- Fitted with a round connecting flange for mounting with Ø 125 mm air duct.
- Suitable for direct mounting with VENTS VKO 125 fan.
- **MV 121 Vs** – model with a round flange and a protecting insect screen.



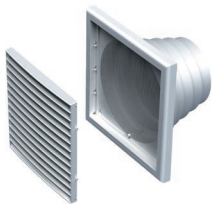
### MV 121 VR – model with a round flange and air flow regulator (VR)



- Fitted with a round connecting flange for mounting with  $\varnothing$  125 mm air duct.
- Equipped with a movable flap for air flow regulation.
- Air pass is regulated with a tilt wand or pull cords.
- Suitable for direct mounting with VENTS VKO 125 fan.
- **MV 121 VRs** – model with a round flange, air flow regulator and a protecting insect screen.



### MV 121 VN – model with a flange with various diameters (VN)



- Fitted with a round connecting flange with various diameters for mounting with  $\varnothing$  100/110/120/130/150 mm air duct.
- **MV 121 VNs** – model with a round flange with various diameters and a protecting insect screen.



### MV 121 VNR – model with a flange with various diameters and air flow regulator (VNR)



- Fitted with a round connecting flange with various diameters for mounting with  $\varnothing$  100/110/120/130/150 mm air duct.
- Equipped with a movable flap for air flow regulation.
- Air pass is regulated with a tilt wand or pull cords.
- **MV 121 VNRs** – model with a round flange with various diameters, air flow regulator and a protecting insect screen.



### Overall dimensions

Model	Dimensions, [mm]					Air pass, [m <sup>2</sup> ]	Fig. no.
	□B	□H	L	L1	D		
MV 121	186	142	19	–	–	0.0155	1, 2
MV 121 R	186	142	19	–	–	0.0083	1, 2
MV 121 V	186	142	19	49	125	0.0123	1, 3
MV 121 VR	186	142	19	49	125	0.0066	1, 3
MV 121 VN	186	142	19	119	100-150	0.0123	1, 4
MV 121 VNR	186	142	19	119	100-150	0.0066	1, 4

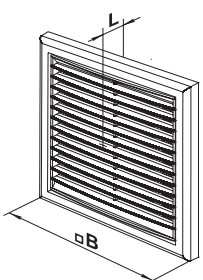


Fig. 1

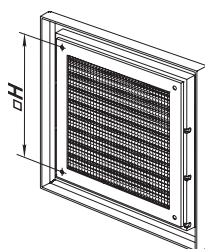


Fig. 2

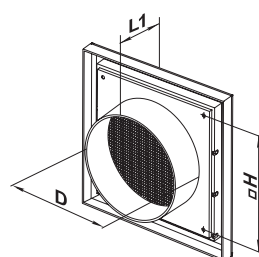


Fig. 3

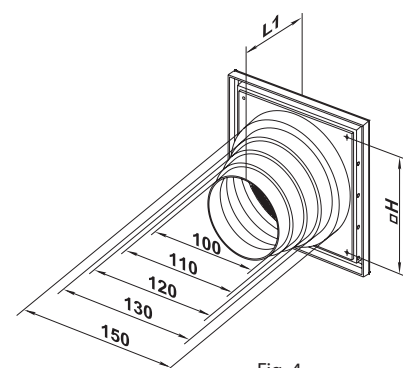


Fig. 4