

ELECTRIC TRIAC TEMPERATURE CONTROLLER

Electric triac temperature controllers for single and two-phase electric heaters

PULSER-M



■ **Application**

The triac controller **PULSER-M** is designed for control of electric heaters power output. The controller design allows connecting to single or two phase heater.

■ **Design and control**

PULSER-M is equipped with a built-in temperature controller for indoor temperature control and external main sensor as well as input terminals for connection of the built-in temperature sensor that can be used as a main

sensor and the sensor for minimum and maximum limitations. The temperature controller selects the required voltage automatically depending on 230 or 400 V operation. P or PI control law is selected automatically. Temperature setting range depends on the used temperature sensor, refer temperature sensors TG-K.

■ **Mounting**

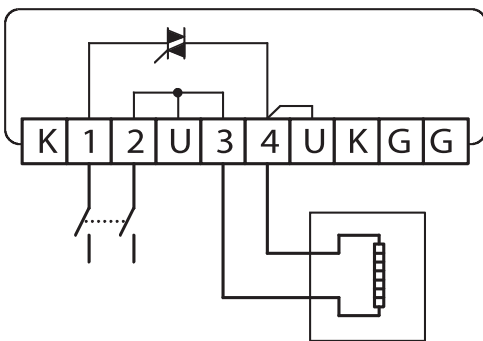
The controller is designed for mounting on the vertical level surface between power supply and the electric heater.

Technical data

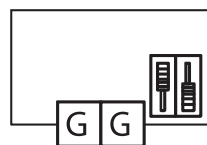
	PULSER-M
Maximum load current	16 A (3400/6000 W)
Voltage [V]	230/400
Pulse period	60 s
Overall dimensions [mm]	94x150x43
Weight [kg]	0.300
Protection rating	IP 20

Wiring diagrams

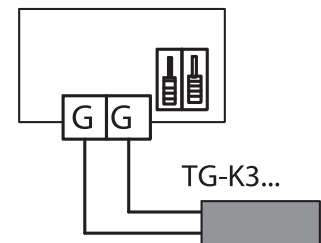
Connection to electric heater and power mains



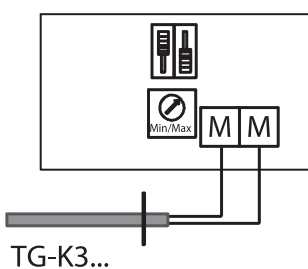
Built-in sensor and settings



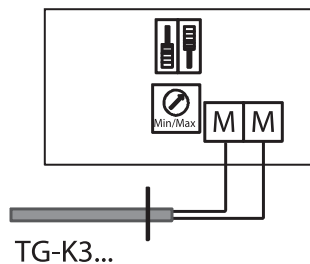
Connection of external sensors



Connection of the sensor for minimum temperature



Connection of the sensor for maximum temperature



Connection for night set-back

