

# STAINLESS STEEL

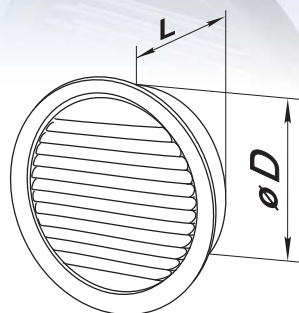
## VENTILATION GRILLES



2013

Fresh air in  
your house!

## MVM Series



### Application

- Decoration of supply and exhaust vents of public, residential and industrial ventilation systems.
- Applicable for HVAC systems.
- Used for correct air flow distribution in premises.

### Design

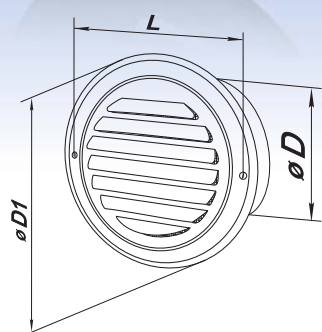
- Made of aluminium.
- Mounting with fixing lugs.
- Equipped with a round Ø 100 mm spigot for connection to air ducts.

### Overall dimensions

Model	Dimensions, mm		Air pass, cm <sup>2</sup>
	D	L	
MVM 101 bV A	101	24	24



## MVM Series



### Application

- Decoration of supply and exhaust vents of public, residential and industrial ventilation systems.
- Applicable for HVAC systems.
- Used for correct air flow distribution in premises.

### Design

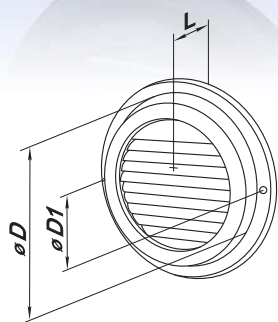
- Made of stainless steel.
- Insect screen included.
- Mounting with fixing lugs.
- Equipped with a round Ø 100, 125 or 150 mm spigot for connection to air ducts.

### Overall dimensions

Model	Dimensions, mm			Air pass, cm <sup>2</sup>
	d	L	D	
MVM 100 bV N	96	134	150	48
MVM 125 bV N	119	165	184	82
MVM 150 bV N	143	190	205	126



**MVM Series**



**Application**

- Decoration of supply and exhaust vents of public, residential and industrial ventilation systems.
- Applicable for HVAC systems.
- Used for correct air flow distribution in premises.

**Design**

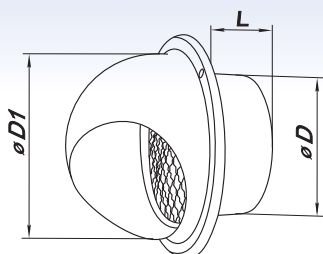
- Made of stamped stainless steel.
- Rubber seals for tight contact to the wall.
- Fixing with screws.

**Overall dimensions**

Model	Dimensions, mm			Air pass, cm <sup>2</sup>
	D	D1	L	
MVM 100 b N	95	133	22	57
MVM 125 b N	122	165	24	93
MVM 150 b N	144	190	26	138

SUPPLY AND EXHAUST METAL HOODS

**MVM Series**



**Application**

- Decoration of supply and exhaust vents of public, residential and industrial ventilation systems.

**Design**

- Made of stainless steel.
- Insect screen included.
- Rubber seals for tight contact to the wall.
- Equipped with a round Ø 100, 125 or 150 mm spigot for connection to air ducts.
- Fixing with screws.

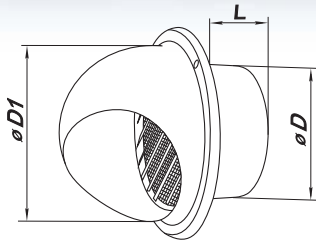
**Overall dimensions**

Model	Dimensions, mm			Air pass, cm <sup>2</sup>
	D	D1	L	
MVM 102 bVs N	97	133	52	48
MVM 122 bVs N	120	165	52	82
MVM 152 bVs N	145	192	62	126



# SUPPLY AND EXHAUST METAL HOODS

## MVM Series



### Application

- Decoration of supply and exhaust vents of public, residential and industrial ventilation systems.
- Applicable for HVAC systems.

### Design

- Made of stainless steel.
- Directing vanes and an insect screen included.
- Rubber seals for tight contact to the wall.
- Equipped with a round  $\varnothing$  100, 125 or 150 mm spigot for connection to air ducts.
- Fixing with screws.

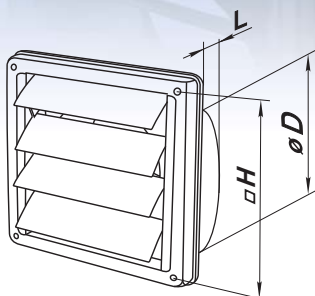


### Overall dimensions

Model	Dimensions, mm			Air pass, cm <sup>2</sup>
	D	D1	L	
MVM 102 bV N	97	133	52	48
MVM 122 bV N	120	165	52	82
MVM 152 bV N	145	192	62	126
MVM 202 bV N	195	253	62	178

# EXHAUST GRAVITY METAL GRILLE

## MVM Series



### Application

- Decoration of exhaust vents of public, residential and industrial ventilation systems.
- Applicable for exhaust HVAC systems.

### Design

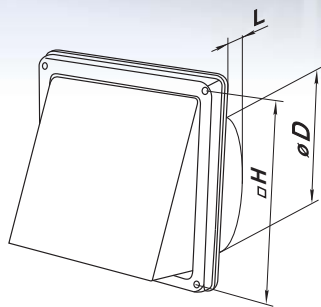
- Made of aluminium.
- Fixing with screws.
- Rubber seals for tight contact to the wall.

### Overall dimensions

Model	Dimensions, mm			Air pass, cm <sup>2</sup>
	D	□H	L	
MVM 100 VG N	97	137 x 137	52	70
MVM 125 VG N	120	167 x 167	52	112
MVM 150 VG N	145	167 x 167	62	164



**MVM Series**



**Application**

- Decoration of exhaust vents of public, residential and industrial ventilation systems.

**Design**

- Made of stainless steel.
- Back valve included.
- Rubber seals for tight contact to the wall.
- Equipped with a round  $\varnothing$  100, 125 or 150 mm spigot for connection to air ducts.
- Fixing with screws.

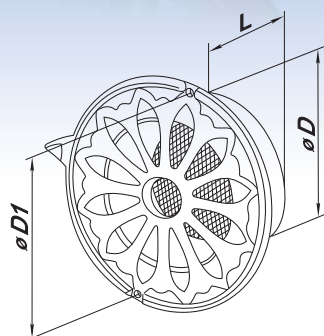
**Overall dimensions**

Model	Dimensions, mm			Air pass, cm <sup>2</sup>
	D	□H	L	
MVM 102 V N	97	137 x 137	52	71
MVM 122 V N	120	167 x 167	52	113
MVM 152 V N	145	167 x 167	62	165



**SUPPLY AND EXHAUST METAL GRILLE**

**MVM Series**



**Application**

- Decoration of supply and exhaust vents of public, residential and industrial ventilation systems.
- Applicable for HVAC systems.
- Used for correct air flow distribution in premises.

**Design**

- Made of cast aluminium.
- Equipped with a round  $\varnothing$  100, 125 or 150 mm spigot for connection to air ducts.
- Insect screen included.
- Rubber seals for tight contact to the wall.
- Fixing with screws.

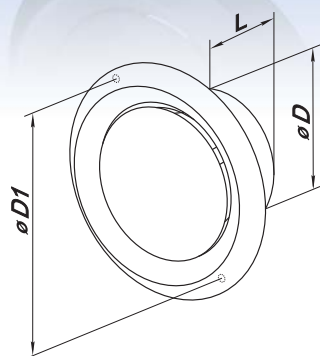


**Overall dimensions**

Model	Dimensions, mm			Air pass, cm <sup>2</sup>
	D	D1	L	
MVM 100 bVL A	97	140	52	45
MVM 125 bVL A	120	178	52	67
MVM 150 bVL A	145	178	62	115

## SUPPLY AND EXHAUST METAL DISK VALVES

### AM Series



#### Application

- Applicable in supply and exhaust HVAC systems.
- Mounting in false ceilings or walls.
- For correct air circulation in the premise.

#### Design

- Made of stainless steel.
- Special aerodynamic shape enables uniform air distribution.
- Smooth air flow control due to the central valve body rotation.
- Equipped with a round  $\varnothing$  100, 125 or 150 mm spigot for connection to air ducts.
- Easy mounting with fixing lugs or screws.

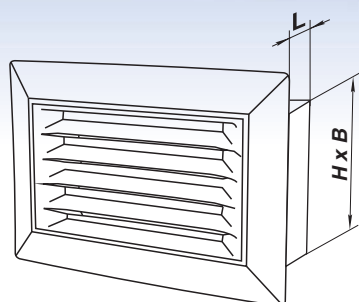


#### Overall dimensions

Model	Dimensions, mm			Air pass, cm <sup>2</sup>
	D	D1	L	
AM 100 VRF N	97	118	52	32
AM 125 VRF N	120	141	52	57
AM 150 VRF N	145	162	62	90
AM 200 VRF N	195	214	73	132

## SUPPLY AND EXHAUST METAL GRILLE

### MVM Series



#### Application

- Decoration of supply and exhaust vents of public, residential and industrial ventilation systems.
- Applicable for HVAC systems.
- Used for correct air flow distribution in premises.

#### Design

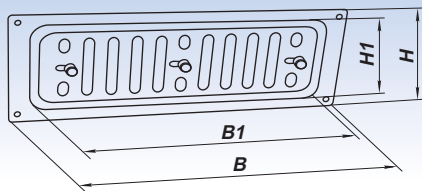
- Made of stainless steel.
- Mounting to rectangular 55x110 and 60x204 mm air ducts with fixing lugs.

#### Overall dimensions

Model	Dimensions, mm		Air pass, cm <sup>2</sup>
	H x B	L	
MVM 110*54 VR N	110x54	25	28
MVM 205*61 VR N	205x61	30	42



**MVMP Series**



**Application**

- Decoration of supply and exhaust vents of public, residential and industrial ventilation systems.
- Applicable for HVAC systems.
- Used for correct air flow distribution in premises.

**Design**

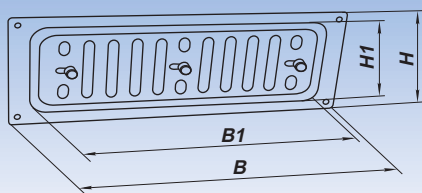
- Made of stainless steel.
- Movable flap for air flow control.
- Fixing with screws.



**Overall dimensions**

Model	Dimensions, mm				Air pass, cm <sup>2</sup>
	B1	H1	B	H	
MVMP 260*90 R N	225	75	260	90	36
MVMP 260*165 R N	225	150	260	165	85
MVMP 260*240 R N	225	225	260	240	127

**MVMP Series**



**Application**

- Decoration of supply and exhaust vents of public, residential and industrial ventilation systems.
- Applicable for HVAC systems.
- Used for correct air flow distribution in premises.

**Design**

- Made of aluminium.
- Movable flap for air flow control.
- Fixing with screws.



**Overall dimensions**

Model	Dimensions, mm				Air pass, cm <sup>2</sup>
	B1	H1	B	H	
MVMP 260*90 R A	225	75	260	90	36
MVMP 260*165 R A	225	150	260	165	85
MVMP 260*240 R A	225	225	260	240	127

**VENTILATION SYSTEM**  
[www.ventilation-system.com](http://www.ventilation-system.com)

stainless steel  
ventilation grilles

VENTS reserves the rights to modify any of its products' features, designs, components and specifications at any time and without notice to maintain the development and quality of manufactured goods.

06/2013

