

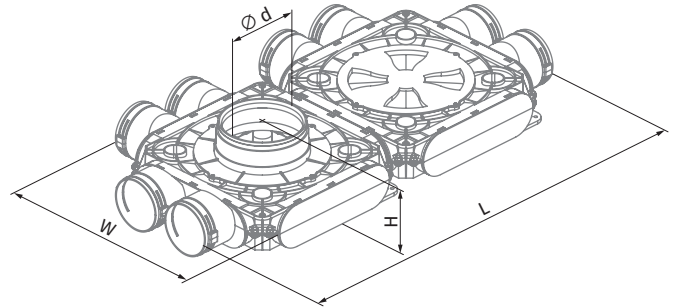
**PLASTIC AIR
DISTRIBUTION BOX
FLEXIVENT 1051150/90x8
FLEXIVENT 1051160/90x8
FLEXIVENT 1051200/90x8**



For supply and exhaust systems in residential premises.
Distribution of air from the ventilation unit through the ducts.

- Connection diameter: 90 mm.
- Ducts are fastened with Flexivent 03 locks, purchased separately.
- The duct is fitted with a FlexiVent 0590 slip-on seal to retain air-tightness class "S" (available as an accessory).
- Made of polypropylene (PP) with thermoplastic elastomer (SEBS).
- Operating temperature: from -20 to +60 °C.

Dimensions [mm]	Ø d (inner)	H	L	W
FlexiVent 1051150/90x8	138	140	845	424
FlexiVent 1051160/90x8	148	140	845	424
FlexiVent 1051200/90x8	188	140	845	424



**PLASTIC AIR
DISTRIBUTION BOX
FLEXIVENT 1050150/90x12
FLEXIVENT 1050160/90x12
FLEXIVENT 1050200/90x12**



For supply and exhaust systems in residential premises.
Distribution of air from the ventilation unit through the ducts.

- Connection diameter: 90 mm.
- Ducts are fastened with Flexivent 03 locks, purchased separately.
- The duct is fitted with a FlexiVent 0590 slip-on seal to retain air-tightness class "S" (available as an accessory).
- Made of polypropylene (PP) with thermoplastic elastomer (SEBS).
- Operating temperature: from -20 to +60 °C.

Dimensions [mm]	Ø d (inner)	H	L	W
FlexiVent 1050150/90x12	138	140	845	496
FlexiVent 1050160/90x12	148	140	845	496
FlexiVent 1050200/90x12	188	140	845	496

