

## RD1 smoke exhaust grille



The KPD/KPDU smoke exhaust dampers and the KP-1, KP-2 wall-mounted fire-resisting dampers (1 flange) can be additionally equipped with a smoke exhaust grille.

The smoke exhaust grille is used to entirely block the external view of the damper internals in the absence of strict requirements to the unit appearance.

The smoke exhaust grille also doubles as unauthorized access protection for the damper and its actuator.

The grille has one row of non-adjustable horizontal air flow guides fixed at 45°.

The grille can be made of galvanized steel (Zn), carbon steel with a special coating (M), stainless steel (N) or aluminium (A).

The grille is attached directly to the damper flange by means of self-tapping screws with the louvre shutters facing outwards.

### Designation key

## Smoke exhaust grille RD1 X X X

#### Working section of the damper:

BxH (B – width [mm]; H – height [mm])

#### Damper flow area width [mm]

300; 350; 400; 450; 500; 550; 600; 650; 700; 750; 800; 850; 900; 950; 1000

#### Damper flow area height [mm]

300; 350; 400; 450; 500; 550; 600; 650; 700; 750; 800; 850; 900; 950; 1000

#### Damper type:

KPDU, KPD

#### Material:

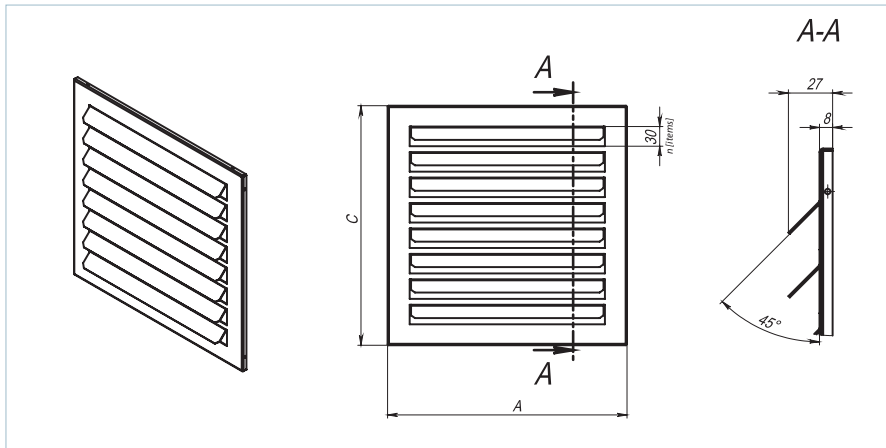
Zn – galvanized steel

N – stainless steel

M – carbon steel with special coating

A – aluminium

### Overall dimensions



When ordering smoke exhaust grilles for KP-1 and KP-2 dampers, it is necessary to order a grille with the name RD1...KPDU...

Name	A [mm]	C [mm]	n [items]	Cross-sectional area [m <sup>2</sup> ]	Weight of the galvanized steel grille [kg]
RD1 300x300 (for KPD)	367			0.059	1.29
RD1 350x300 (for KPD)	417			0.069	1.46
RD1 400x300 (for KPD)	467			0.080	1.63
RD1 450x300 (for KPD)	517			0.090	1.80
RD1 500x300 (for KPD)	567			0.101	1.97
RD1 550x300 (KPDU/KPD)	617			0.111	2.14
RD1 600x300 (KPDU/KPD)	667			0.122	2.32
RD1 650x300 (KPDU/KPD)	717	367	8	0.132	2.49
RD1 700x300 (KPDU/KPD)	767			0.143	2.66
RD1 750x300 (KPDU/KPD)	817			0.153	2.83
RD1 800x300 (KPDU/KPD)	867			0.164	3.00
RD1 850x300 (KPDU/KPD)	917			0.174	3.17
RD1 900x300 (KPDU/KPD)	967			0.185	3.34
RD1 950x300 (KPDU/KPD)	1017			0.195	3.51
RD1 1000x300 (KPDU/KPD)	1067			0.206	3.68

Name	A [mm]	C [mm]	n [items]	Cross-sectional area [m <sup>2</sup> ]	Weight of the galvanized steel grille [kg]		
RD1 350x350 (for KPD)	417	417	9	0.079	1.66		
RD1 400x350 (for KPD)	467			0.091	1.85		
RD1 450x350 (for KPD)	517			0.103	2.04		
RD1 500x350 (for KPD)	567			0.115	2.24		
RD1 550x350 (KPDU/KPD)	617			0.127	2.43		
RD1 600x350 (KPDU/KPD)	667			0.139	2.62		
RD1 650x350 (KPDU/KPD)	717			0.151	2.81		
RD1 700x350 (KPDU/KPD)	767			0.163	3.01		
RD1 750x350 (KPDU/KPD)	817			0.175	3.20		
RD1 800x350 (KPDU/KPD)	867			0.187	3.39		
RD1 850x350 (KPDU/KPD)	917			0.199	3.59		
RD1 900x350 (KPDU/KPD)	967			0.211	3.78		
RD1 950x350 (KPDU/KPD)	1017			0.223	3.97		
RD1 1000x350 (KPDU/KPD)	1067	0.235	4.17				
RD1 400x400 (for KPD)	467	467	10	0.114	2.07		
RD1 450x400 (for KPD)	517			0.129	2.28		
RD1 500x400 (for KPD)	567			0.144	2.50		
RD1 550x400 (KPDU/KPD)	617			0.159	2.71		
RD1 600x400 (KPDU/KPD)	667			0.174	2.93		
RD1 650x400 (KPDU/KPD)	717			0.189	3.14		
RD1 700x400 (KPDU/KPD)	767			0.204	3.36		
RD1 750x400 (KPDU/KPD)	817			0.219	3.57		
RD1 800x400 (KPDU/KPD)	867			0.234	3.79		
RD1 850x400 (KPDU/KPD)	917			0.249	4.01		
RD1 900x400 (KPDU/KPD)	967			0.264	4.22		
RD1 950x400 (KPDU/KPD)	1017			0.279	4.44		
RD1 1000x400 (KPDU/KPD)	1067			0.294	4.65		
RD1 450x450 (for KPD)	517	517	12	0.142	2.51		
RD1 500x450 (for KPD)	567			0.158	2.75		
RD1 550x450 (KPDU/KPD)	617			0.175	2.98		
RD1 600x450 (KPDU/KPD)	667			0.191	3.22		
RD1 650x450 (KPDU/KPD)	717			0.208	3.46		
RD1 700x450 (KPDU/KPD)	767			0.224	3.69		
RD1 750x450 (KPDU/KPD)	817			0.241	3.93		
RD1 800x450 (KPDU/KPD)	867			0.257	4.17		
RD1 850x450 (KPDU/KPD)	917			0.274	4.41		
RD1 900x450 (KPDU/KPD)	967			0.290	4.64		
RD1 950x450 (KPDU/KPD)	1017			0.307	4.88		
RD1 1000x450 (KPDU/KPD)	1067			0.323	5.12		
RD1 500x500 (for KPD)	567			567	13	0.173	3.01
RD1 550x500 (KPDU/KPD)	617	0.191	3.27				
RD1 600x500 (KPDU/KPD)	667	0.209	3.53				
RD1 650x500 (KPDU/KPD)	717	0.227	3.79				
RD1 700x500 (KPDU/KPD)	767	0.245	4.05				
RD1 750x500 (KPDU/KPD)	817	0.263	4.31				
RD1 800x500 (KPDU/KPD)	867	0.281	4.57				
RD1 850x500 (KPDU/KPD)	917	0.299	4.82				
RD1 900x500 (KPDU/KPD)	967	0.317	5.08				
RD1 950x500 (KPDU/KPD)	1017	0.335	5.34				
RD1 1000x500 (KPDU/KPD)	1067	0.353	5.60				
RD1 550x550 (KPDU/KPD)	617	617	14			0.207	3.55
RD1 600x550 (KPDU/KPD)	667					0.226	3.83
RD1 650x550 (KPDU/KPD)	717			0.246	4.12		
RD1 700x550 (KPDU/KPD)	767			0.265	4.40		
RD1 750x550 (KPDU/KPD)	817			0.285	4.68		
RD1 800x550 (KPDU/KPD)	867			0.304	4.96		
RD1 850x550 (KPDU/KPD)	917			0.324	5.24		
RD1 900x550 (KPDU/KPD)	967			0.343	5.53		
RD1 950x550 (KPDU/KPD)	1017			0.363	5.81		
RD1 1000x550 (KPDU/KPD)	1067			0.382	6.09		

## ACCESSORIES

Name	A [mm]	C [mm]	n [items]	Cross-sectional area [m <sup>2</sup> ]	Weight of the galvanized steel grille [kg]
RD1 600x600 (KPDU/KPD)	667	667	15	0.244	4.14
RD1 650x600 (KPDU/KPD)	717			0.265	4.44
RD1 700x600 (KPDU/KPD)	767			0.286	4.75
RD1 750x600 (KPDU/KPD)	817			0.307	5.05
RD1 800x600 (KPDU/KPD)	867			0.328	5.36
RD1 850x600 (KPDU/KPD)	917			0.349	5.66
RD1 900x600 (KPDU/KPD)	967			0.370	5.97
RD1 950x600 (KPDU/KPD)	1017			0.391	6.27
RD1 1000x600 (KPDU/KPD)	1067			0.412	6.58
RD1 650x650 (KPDU/KPD)	717			717	16
RD1 700x650 (KPDU/KPD)	767	0.306	5.10		
RD1 750x650 (KPDU/KPD)	817	0.329	5.43		
RD1 800x650 (KPDU/KPD)	867	0.351	5.75		
RD1 850x650 (KPDU/KPD)	917	0.374	6.08		
RD1 900x650 (KPDU/KPD)	967	0.396	6.41		
RD1 950x650 (KPDU/KPD)	1017	0.419	6.74		
RD1 1000x650 (KPDU/KPD)	1067	0.441	7.06		
RD1 700x700 (KPDU/KPD)	767	767	18	0.347	5.44
RD1 750x700 (KPDU/KPD)	817			0.372	5.78
RD1 800x700 (KPDU/KPD)	867			0.398	6.13
RD1 850x700 (KPDU/KPD)	917			0.423	6.48
RD1 900x700 (KPDU/KPD)	967			0.449	6.83
RD1 950x700 (KPDU/KPD)	1017			0.474	7.18
RD1 1000x700 (KPDU/KPD)	1067			0.500	7.53
RD1 750x750 (KPDU/KPD)	817	817	19	0.394	6.16
RD1 800x750 (KPDU/KPD)	867			0.421	6.53
RD1 850x750 (KPDU/KPD)	917			0.448	6.90
RD1 900x750 (KPDU/KPD)	967			0.475	7.27
RD1 950x750 (KPDU/KPD)	1017			0.502	7.64
RD1 1000x750 (KPDU/KPD)	1067			0.529	8.01
RD1 800x800 (KPDU/KPD)	867	867	20	0.445	6.93
RD1 850x800 (KPDU/KPD)	917			0.473	7.32
RD1 900x800 (KPDU/KPD)	967			0.502	7.71
RD1 950x800 (KPDU/KPD)	1017			0.530	8.11
RD1 1000x800 (KPDU/KPD)	1067	0.559	8.50		
RD1 850x850 (KPDU/KPD)	917	917	21	0.498	7.74
RD1 900x850 (KPDU/KPD)	967			0.528	8.16
RD1 950x850 (KPDU/KPD)	1017			0.558	8.57
RD1 1000x850 (KPDU/KPD)	1067			0.588	8.99
RD1 900x900 (KPDU/KPD)	967	967	22	0.554	8.60
RD1 950x900 (KPDU/KPD)	1017			0.586	9.04
RD1 1000x900 (KPDU/KPD)	1067			0.617	9.47
RD1 950x950 (KPDU/KPD)	1017	1017	23	0.614	9.50
RD1 1000x950 (KPDU/KPD)	1067			0.647	9.96
RD1 1000x1000 (KPDU/KPD)	1067	1067	24	0.676	10.45
RD1 300x300 (for KPDU)	347	347	8	0.059	1.15
RD1 350x300 (for KPDU)	397			0.069	1.31
RD1 400x300 (for KPDU)	447			0.080	1.48
RD1 450x300 (for KPDU)	497			0.090	1.64
RD1 500x300 (for KPDU)	547			0.101	1.80
RD1 350x350 (for KPDU)	397	397	9	0.079	1.50
RD1 400x350 (for KPDU)	447			0.091	1.68
RD1 450x350 (for KPDU)	497			0.103	1.87
RD1 500x350 (for KPDU)	547			0.115	2.05
RD1 400x400 (for KPDU)	447	447	10	0.114	1.89
RD1 450x400 (for KPDU)	497			0.129	2.09
RD1 500x400 (for KPDU)	547			0.144	2.30
RD1 450x450 (for KPDU)	497	497	11	0.142	2.32
RD1 500x450 (for KPDU)	547			0.158	2.55
RD1 500x500 (for KPDU)	547	547	12	0.173	2.79

The KP-1, KP-2 fire-resisting duct dampers (2 flanges) for completing with an RD1 grille can be ordered separately.