

## VENTS Alta series

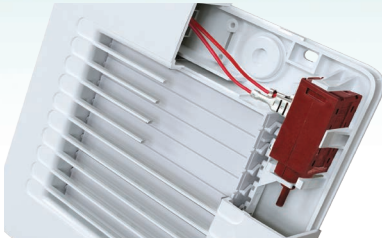


COMING SOON

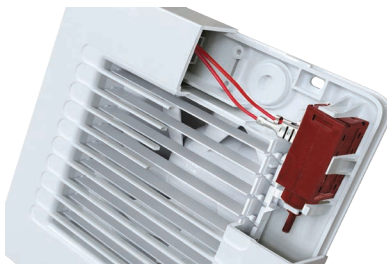
Fans with an innovative mixed flow impeller, with automatic louver shutters for exhaust ventilation with the air flow up to 90 m<sup>3</sup>/h

### Application

- Continuous or periodic exhaust ventilation of bathrooms, showers, kitchens and other residential premises.
- Mounting into ventilation shafts or connection to Ø 100 mm air ducts.



Fan not running – the shutters are CLOSED



Fan running – the shutters are OPEN

### Design

- Modern design and aesthetic look.
- The casing and the impeller are made of high-quality durable ABS plastic, UV resistant.
- The aerodynamic design of the impeller ensures high air flow and low noise level.
- The fan outlet spigot incorporates specially designed air rectifiers to reduce air turbulence, noise level and increase air pressure.
- The fan is equipped with a thermal actuator, which ensures smooth opening and closing of the automatic shutters preventing back draught.
- The ingress protection rating is IP24.

### Electric motor

- Reliable motor with low power consumption.
- The motor is designed for continuous operation and requires no maintenance.
- The motor is protected against overheating.

### Versions and options



The **Alta L** motor is equipped with ball bearings to maximize service life (approx. 40 000 operating hours) and to install the fan at any angle. The bearings are maintenance-free and have enough grease for their entire service life.



**Alta T** – equipped with a timer, adjustable from 2 up to 30 minutes.



**Alta TH** – equipped with a timer (adjustable from 2 up to 30 minutes) and a humidity sensor (activation threshold – 60-90%).



**Alta V** – equipped with a cord switch.



**Alta VT** – equipped with a cord switch and a timer (adjustable from 2 up to 30 minutes).



**Alta VTH** – equipped with a cord switch, a timer (adjustable from 2 up to 30 minutes) and a humidity sensor (response threshold – 60-90 %).



**Alta TR** – equipped with an adjustable timer and a motion sensor (sensor range – from 1 to 4 m, angle of view – up to 100°).



**Alta 12** – modification with low-voltage motor. 12 V AC power supply.

### Control

#### Manual

The fan is controlled with a light switch. The switch is not included in the delivery set.

- The fan is controlled by means of an integrated cord switch **B**. When the fan is ceiling mounted, this option is not used.

#### Automatic

- By means of an electronic control unit **BU-1-60** (see "Electrical accessories"). The control unit is supplied separately.
- By the **T** timer. The built-in adjustable turn-off delay timer allows the fan to run for 2 to 30 minutes after it is switched off.
- By the humidity sensor and the timer **TH**. If the humidity level in the room exceeds the sensor threshold within 60-90 %, the fan will automatically switch on and will continue running until the humidity returns to normal; then the fan will work the time set on the timer and will switch off.
- By the motion sensor and the timer **TP**. If the sensor detects motion within its range, the fan will automatically switch on and continue timer-based operation from 2 to 30 min. Range of detection – up to 4 metres (detection angle – max. 100°).

### Mounting features

- The fan is installed directly in the ventilation shaft opening.
- Flexible duct connection is recommended in case of the remote ventilation shaft location. The air duct is connected to the outlet flange of the fan with a clamp.
- It is fixed to the wall with screws.
- The fan on ball bearings (Alta L) may be used for ceiling installation.
- For 12 V low-voltage motor fan connection to 220 V/50 Hz power mains use the step-down transformer TRF 220/12-25 that is available upon separate order.

### Accessories

Air ducts



Grilles and hoods



Regulators



Clamps

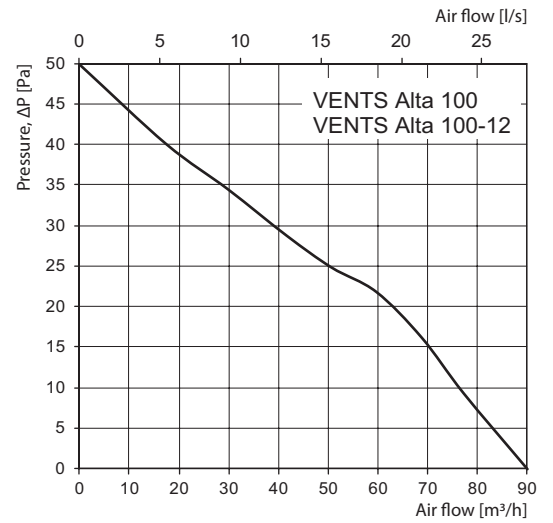


### Technical data

Model	VENTS Alta 100	VENTS Alta 100-12
Frequency [Hz]	50	50
Voltage [V]	220-240	12
Power [W]	10	12
Current [A]	0,056	1,21
RPM [min <sup>-1</sup> ]	2300	2300
Maximum air flow [m <sup>3</sup> /h]	90	90
Maximum air flow [l/s]	25	25
Sound pressure level [dBA*]	25	25
Weight [kg]	0,63	0,63
IP	IP24	IP24

\*Sound pressure level measured in free space at a distance of 3 meters from the fan.

### Aerodynamic characteristics

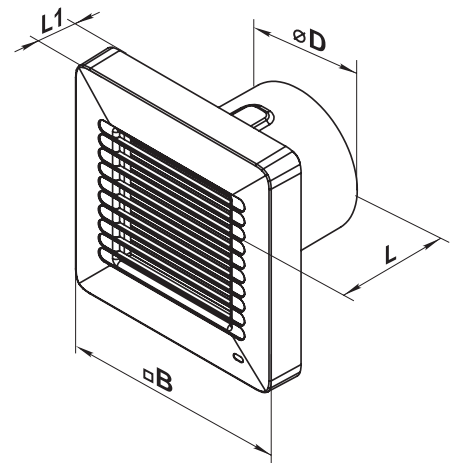


### Installation example



### Overall dimensions

Model	Dimensions [mm]			
	Ø D	□ B	L	L1
VENTS Alta 100				
VENTS Alta 100-12	99	168	110	29



### Certificates

The fans comply with regulations on safety and electromagnetic compatibility.