

Series VENTS Casto Duo



Two-speed axial low-noise and low energy fans for exhaust ventilation with air flow up to 300 m³/h

Application

- Continuous or periodic exhaust ventilation of bathroom, showers, kitchens, and other residential premises.
- Ventilation of premises with high requirements to noise level.
- Permanent low-speed operation mode ensures continuous air exchange in the room.
- Ventilation shaft mounting or connection to Ø 100 and 150 mm air ducts.

Design

- The casing and the impeller are made of high-quality durable plastic, UV resistant.
- The aerodynamic design of the impeller ensures high air flow and low noise level.
- The fan is equipped with a specially designed backdraft damper to prevent back flow and heat losses during the fan standby.
- The fan outlet spigot incorporates specially designed air rectifiers to reduce air turbulence, noise level and increase air pressure.

Motor

- Low energy demand from 5 W due to a new two-speed high-efficient motor.
- Designed for continuous operation and requires no maintenance.
- Equipped with overheating protection.

Modifications and options



Casto L Duo – the motor is equipped with ball bearings to increase the service life (about 40000 of operating hours) and a fan, mounting at any angle. The bearings are maintenance-free and contain enough grease for the entire operating period.



Casto T1 Duo – equipped with an adjustable high-speed turn-on delay timer (from 0 to 2 minutes) and an adjustable high-speed turn-off delay timer (from 2 to 30 minutes).



Casto TH Duo – equipped with an adjustable turn-off delay timer (from 2 to 30 minutes) and a fixed turn-on delay timer (45 s) with a humidity sensor adjustable from 60 % to 90 %.



Control

Manual:

- The fan is operated via light switch (not included in the delivery set).

Automatic:

- By the **T1** timer. When the external switch is turned on, the fan switches to a higher speed with a delay of 0 to 2 minutes. When the external switch is turned off, the fan will return to a low speed with a delay of 2 to 30 minutes.
- By a humidity sensor and the **TH** timer. If the humidity level in the room exceeds the sensor threshold (60-90 %), the fan will automatically switch to a higher speed and will continue running until humidity returns to normal levels. Then the fan runs for 5 minutes at a high speed and switches to a low speed. The fan with the **TH** timer and a humidity sensor can also be controlled in manual mode, for example, using the light switch. When the control voltage is applied, the turn-on delay timer is activated for 45 seconds and the fan switches to the second speed. After disconnecting the control voltage, the fan runs for a time set by the turn-off delay timer (from 2 to 30 minutes), and switches to the first speed.

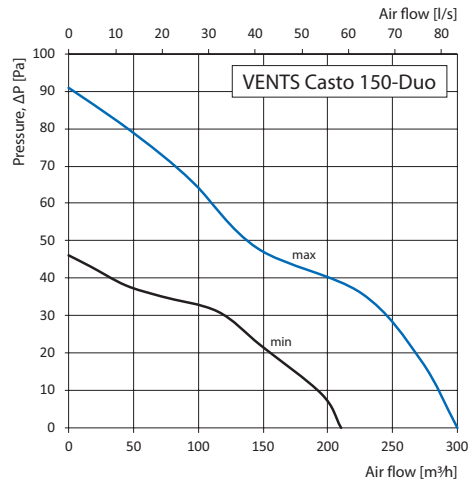
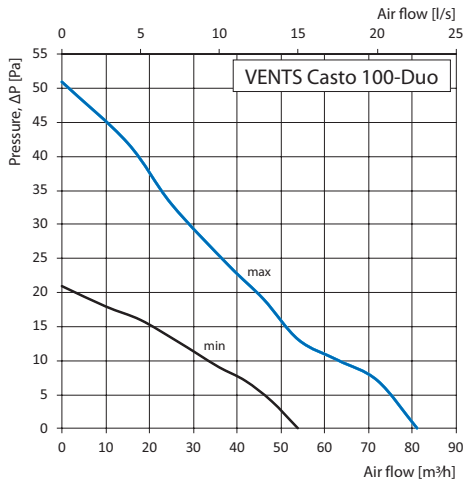
Mounting features

- The fan is mounted directly into the ventilation shaft.
- Flexible duct connection is recommended in case of the remote ventilation shaft location. The air duct is connected to the fan exhaust flange by means of a clamp.
- Wall fixing with screws.
- Suitable for ceiling mounting.

Accessories



Aerodynamic characteristics

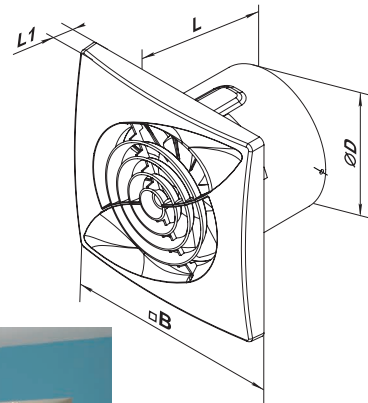


Technical data

Model	Speed	Frequency	Voltage	Power Consumption	Current	Maximum Air Flow		Specific Power	Sound Pressure Level at 3 m	Weight	IP
						[m³/h]	[l/s]				
VENTS Casto 100-Duo	min.	50	220-240	5	0.030	54	15	0.33	23	0.55	IP44
	max.			8	0.050	81	23	0.35	28		
VENTS Casto 150-Duo	min.	50	220-240	18	0.079	210	58	0.31	29	0.97	IP44
	max.			21	0.085	300	83	0.25	35		

Overall dimensions

Model	Dimensions [mm]			
	Ø D	B	L	L1
VENTS Casto 100-Duo	99	150	79	23
VENTS Casto 150-Duo	148	206	112	23



Application example



Certificates

The fans meet the applicable safety and electromagnetic compatibility standards.