

Air distribution boxes

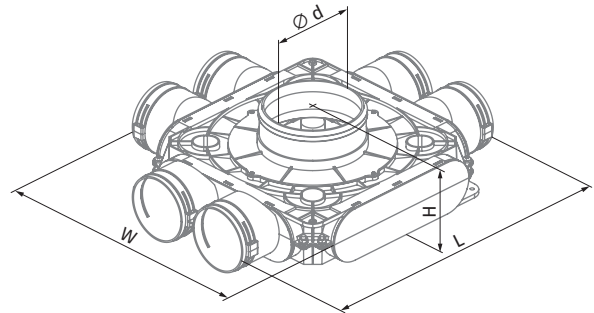
PLASTIC AIR DISTRIBUTION BOX FLEXIVENT 1050125/90x6

For supply and exhaust systems in residential premises.
Distribution of air from the ventilation unit through the ducts.



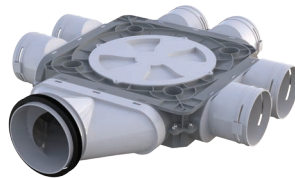
- Connection diameter: 90 mm.
- Ducts are fastened with Flexivent 03 locks, purchased separately.
- The duct is fitted with a FlexiVent 0590 slip-on seal to retain air-tightness class "S" (available as an accessory).
- Made of polypropylene (PP) with thermoplastic elastomer (SEBS).
- Operating temperature: from -20 to +60 °C.

Dimensions [mm]	Ø d (inner)	H	L	W
FlexiVent 1050125/90x6	113	140	496	424



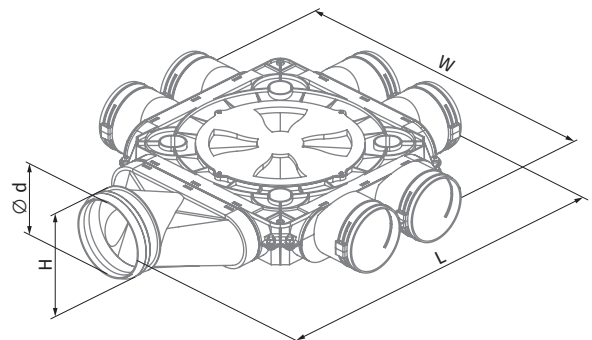
PLASTIC AIR DISTRIBUTION BOX FLEXIVENT 1051125/90x6

For supply and exhaust systems in residential premises.
Distribution of air from the ventilation unit through the ducts.



- Connection diameter: 90 mm.
- Ducts are fastened with Flexivent 03 locks, purchased separately.
- The duct is fitted with a FlexiVent 0590 slip-on seal to retain air-tightness class "S" (available as an accessory).
- Made of polypropylene (PP) with thermoplastic elastomer (SEBS).
- Operating temperature: from -20 to +60 °C.

Dimensions [mm]	Ø d1 (inner)	H	L	W
FlexiVent 1051125/90x6	113	128	588	496



PLASTIC AIR DISTRIBUTION BOX FLEXIVENT 1050150/90x8 FLEXIVENT 1050160/90x8 FLEXIVENT 1050200/90x8

For supply and exhaust systems in residential premises.
Distribution of air from the ventilation unit through the ducts.



- Connection diameter: 90 mm.
- Ducts are fastened with Flexivent 03 locks, purchased separately.
- The duct is fitted with a FlexiVent 0590 slip-on seal to retain air-tightness class "S" (available as an accessory).
- Made of polypropylene (PP) with thermoplastic elastomer (SEBS).
- Operating temperature: from -20 to +60 °C.

Dimensions [mm]	Ø d1 (inner)	H	L
FlexiVent 1050150/90x8	138	140	496
FlexiVent 1050160/90x8	148	140	496
FlexiVent 1050200/90x8	188	140	496

