

Backdraft damper
KKV



■ **Application**

The KKV backdraft damper is designed for automatic shutoff of the air duct during the fan standby and reverse back flow prevention when the ventilation system is off. Designed for mounting of VKV, VKH, VKV EC, VKH EC fan series.

■ **Design**

The casing and the rotating blade is made of galvanized steel plate. The damper vane is opened under air flow

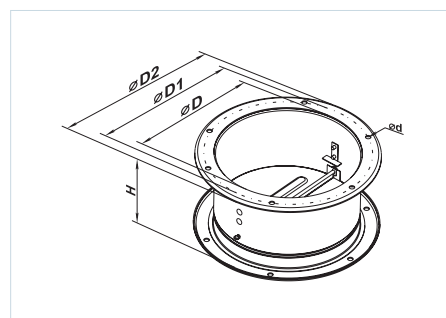
pressure and is automatically closed at no air supply. The backdraft damper has gravitation operating mechanism.

■ **Mounting**

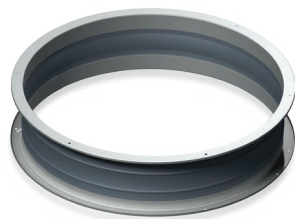
The damper is mounted into the ventilation system by means of fixing the end flanges to the mating flanges in the system. Fixation is effected with galvanized bolts and clamps. The connectors are suitable for installation into vertical exhaust air ducts only (no spring).

Overall dimensions

| Type | Standard size of compatible fans | Dimensions [mm] | | | | | Mass [kg] |
|-------------|----------------------------------|-----------------|-----|-----|----|-----|-----------|
| | | ∅D | ∅D1 | ∅D2 | ∅d | H | |
| KKV 220-225 | 190, 220, 225 | 183 | 213 | 235 | 7 | 115 | 1.0 |
| KKV 250-315 | 250, 280, 310 | 256 | 285 | 306 | 7 | 156 | 1.7 |
| KKV 355-500 | 355, 400, 450, 500 | 402 | 438 | 464 | 9 | 220 | 3.5 |
| KKV 560 | 560, 630 | 565 | 605 | 638 | 10 | 300 | 7.3 |
| KKV 710 | 710 | 635 | 674 | 708 | 10 | 380 | 14.1 |



Flexible connector
GKV



■ **Application**

The GKV flexible connectors are designed for minimizing the vibration transmission from fans to the air duct as well as partial compensation of thermal distortion in the ductworks. Applied in ventilation systems with the transferred air temperature over the range of -40 °C to +80 °C. Designed for mounting of VKV, VKH, VKV EC, VKH EC fan series.

■ **Design**

The flexible connectors consist of two flanges made

of galvanized steel plates that are connected by a vibration-isolating material made of polyethylene band reinforced with polyamide textile. The connectors are not designed for mechanical load and cannot be used as a part of load-bearing construction.

■ **Mounting**

The connectors are mounted into the ventilation system by fixing the end flanges to the mating flanges in the system. Fixation is effected with galvanized bolts and clamps.

Overall dimensions

| Type | Standard size of compatible fans | Dimensions [mm] | | | | | Mass [kg] |
|-------------|----------------------------------|-----------------|-----|-----|----|-----|-----------|
| | | ∅D | ∅D1 | ∅D2 | ∅d | L | |
| GKV 220-225 | 190, 220, 225 | 183 | 210 | 235 | 7 | 200 | 0.8 |
| GKV 250-315 | 250, 280, 310 | 256 | 285 | 308 | 7 | 200 | 1.2 |
| GKV 355-500 | 355, 400, 450, 500 | 402 | 430 | 484 | 9 | 200 | 1.75 |
| GKV 560 | 560, 630 | 567 | 605 | 639 | 9 | 200 | 2.62 |
| GKV 710 | 710 | 630 | 674 | 705 | 10 | 260 | 7.1 |

