

**BACKDRAFT DAMPERS**

**Series  
KOM1**



**■ Applications**

Gravity backdraft damper for round air duct. The damper prevents back draft when the system is off.

**■ Design**

The housing and the rotary blade made of galvanized steel. The damper spigots are rubber sealed for air-tight connection to the air duct.

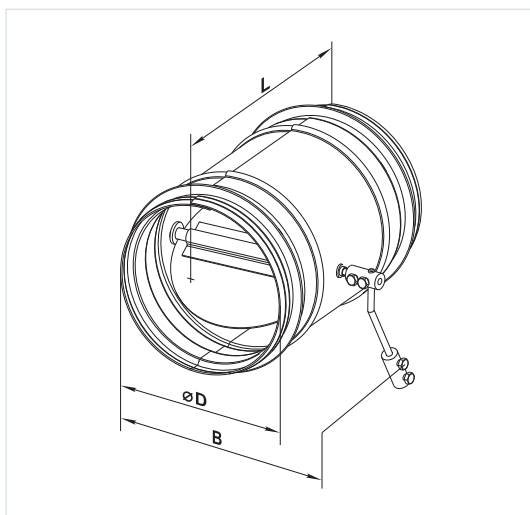
The damper is opened by the airflow and is closed when the system is off. The damper handle counter-weight enables regulation of the damper opening-closing sensitivity.

**■ Mounting**

Standard spigot connection for round air ducts. The blade axis should be in horizontal position allowing the blade to close by its own weight. Correct airflow direction should be considered.

**Overall dimensions:**

| Type     | Dimensions [mm] |     |     | Weight [kg] |
|----------|-----------------|-----|-----|-------------|
|          | ∅D              | B   | L   |             |
| KOM1 100 | 99              | 139 | 150 | 0.65        |
| KOM1 125 | 124             | 162 | 170 | 0.81        |
| KOM1 150 | 149             | 194 | 180 | 0.97        |
| KOM1 160 | 159             | 204 | 190 | 1.06        |
| KOM1 200 | 199             | 238 | 220 | 1.57        |
| KOM1 250 | 249             | 290 | 270 | 2.2         |
| KOM1 315 | 314             | 356 | 340 | 3.24        |
| KOM1 355 | 348             | 400 | 400 | 3.9         |



**Designation key:** \_\_\_\_\_

| Series       | Spigot diameter [mm]            |
|--------------|---------------------------------|
| <b>KOM 1</b> | 100;125;150;160;200;250;315;355 |