

**MVMO1...b
Series**



Application

- Decoration of exhaust vents of public, residential and industrial ventilation systems.
- For ventilation, air conditioning and heating.
- Used for correct air flow distribution in premises.
- Internal or external wall and ceiling mounting.

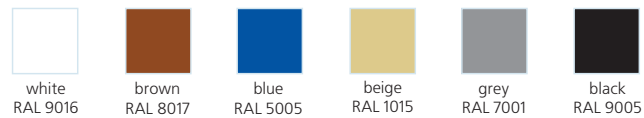
Design

- Made of steel, galvanized steel, stainless steel or aluminium and are suitable for colourful polymer painting.
- Screw fixing.
- Quality materials and zinc-phosphate treatment ensure coating integrity and provide reliable corrosion protection.
- Equipped with a protecting insect screen.

Modifications

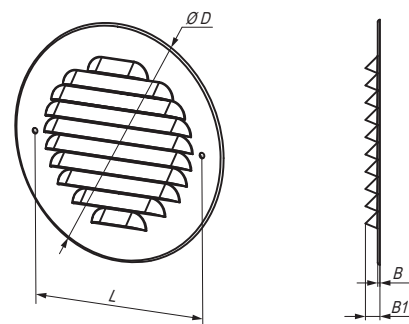
- **MVMO1...bs** - basic white polymer coated grilles.
- **MVMO1...bs A** - aluminium white polymer coated grilles with a protecting insect screen.
- **MVMO1...bs An** - grilles made of anodized brushed aluminium with a protecting insect screen.
- **MVMO1...bs Ap** - grilles made of polished aluminium with a protecting insect screen.
- **MVMO1...bs N** - grilles made of stainless steel with a protecting insect screen.
- **MVMO1...bs Zn** - grilles made of galvanized steel with a protecting insect screen.
- **MVMO1...bs "colour code"** - colourful polymer painted models.

Colour modifications



Overall dimensions

Model	Dimensions [mm]				Air pass [m ²]
	D	B	B1	L	
MVMO1 100 bs	142	1,3	8,4	114	0,0051



MVMO1...bs / MVMO1...bs A



MVMO1...bs Zn



MVMO1...bs An



MVMO1...bs Ap / MVMO1...bs N