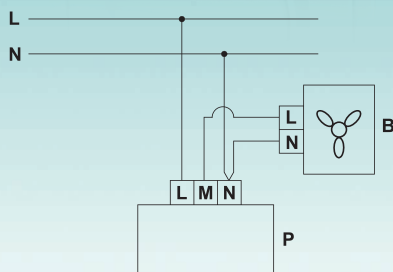


Speed controller RS-1-0,5



Controller wiring diagram

Application

- Used in ventilation systems for switching on/off and speed control of single-phase fan motors with voltage control.
- Several fans can be controlled from the same unit in case the total consumption current does not exceed the permissible controller current value.

Design and control

- The casing is made of plastic.
- The controller is featured with high efficiency and control accuracy.
- Turn to maximum speed by rotating the control knob.
- Regulation starts from the minimum to the maximum voltage value. The maximum speed produces the smoothest rotation.
- The minimum speed value is set by a variable resistor located at the controller circuit board.

Modifications

- **RS-1-0,5** – a speed controller without a mounting junction box.
- **RS-1-0,5 N** – a speed controller, completed with a surface mounting junction box.
- **RS-1-0,5 V** – a speed controller, completed with a flush mounting junction box.
- **RS-1-0,5 NV** – a speed controller, completed with surface and flush mounting junction boxes.

Protection

- The input circuit of the speed controller is equipped with a fuse for overload protection.
- The controller is equipped with a transient filter.

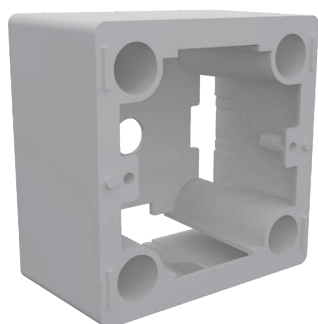
Mounting

- The controller is designed for indoor mounting into special surface mounting (MKN-3) or flush mounting (MKV-4) junction box (under separate order) or into standard round electric junction boxes.

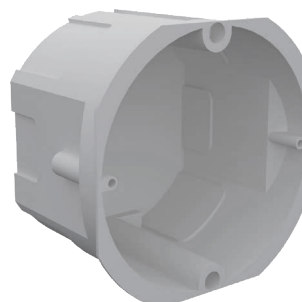
Technical data

	RS-1-0,5
Voltage 50/60 Hz [V]	1~ 230
Rated current [A]	0.5
Overall dimensions LxBxH [mm]	78x78x63
Maximum ambient temperature [°C]	35
Protection	IP40
Weight [kg]	0.11

MOUNTING JUNCTION BOX



MKN-3 (for surface mounting)



MKV-4 (for flush mounting)