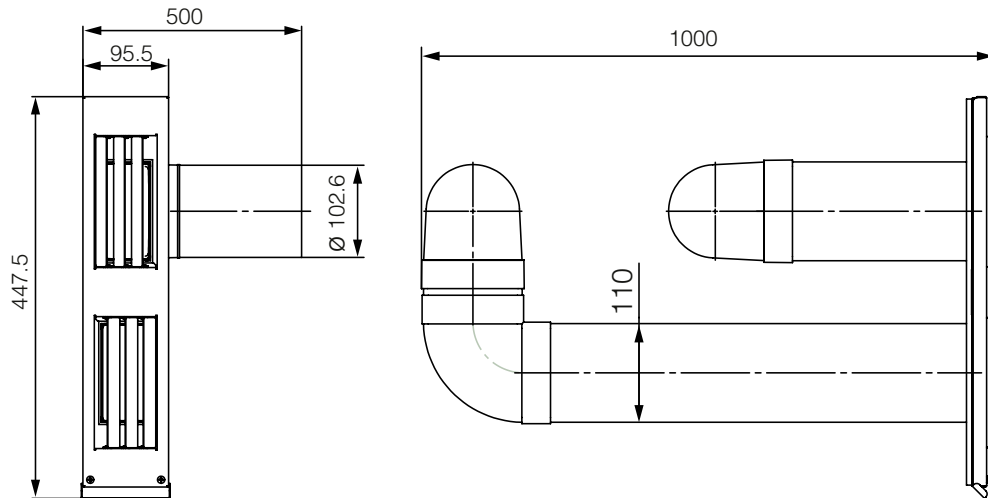


# INSTALLATION INSTRUCTION

## MK1 MICRA 110 MOUNTING KIT

### OUTLINE DRAWING



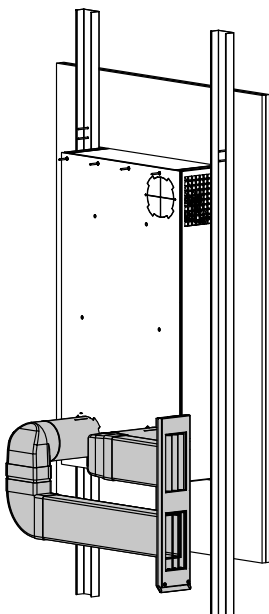
### DELIVERY SET

Name	Number
Cardboard template	1 pc.
Plastic air ducts and connecting elements	1 pc.
Supply and exhaust grille	1 pc.
Installation instruction	1 pc.

### INSTALLATION

The MK 1 Micra 110 is designed for flush mounting of the Micra 110 unit in the slope of the window (into the foam block or plasterboard).

**Installation in plasterboard**



**Installation in foam block**

